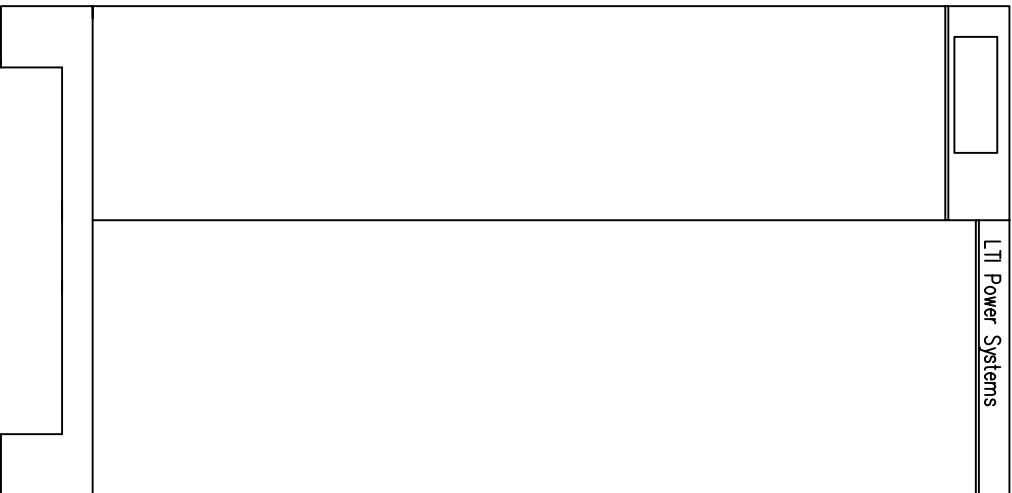


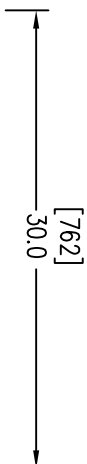
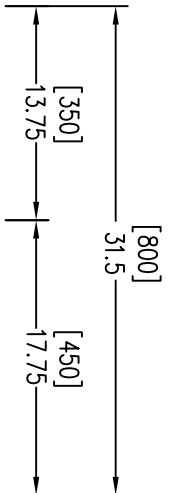
LEFT



FRONT



RIGHT



65.0
[1650]

Notes: Unless otherwise specified, dimensions are in inches. Dimensions within brackets [] are in millimeters.
Recommended clearance for serviceability is 36" [914] on the left side, 18" [457.2] on the right side and 18" [457.2] at the back of the system.

LTI Power Systems, Inc.

TEL. (440) 327-5050

10800 Middle Ave. Elyria, Ohio 44035

ProUPS B800 ENCLOSURE
10-40KVA

10KVA WEIGHT: 860 LBS. (390 kg)
15KVA WEIGHT: 950 LBS. (431 kg)
20KVA WEIGHT: 1058 LBS. (480 kg)
30KVA WEIGHT: 1150 LBS. (522 kg)
40KVA WEIGHT: 1220 LBS. (554 kg)

LTI - ProUPS

CAD DWG NAME: RK333-A2

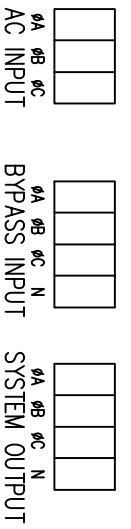
REV.

2

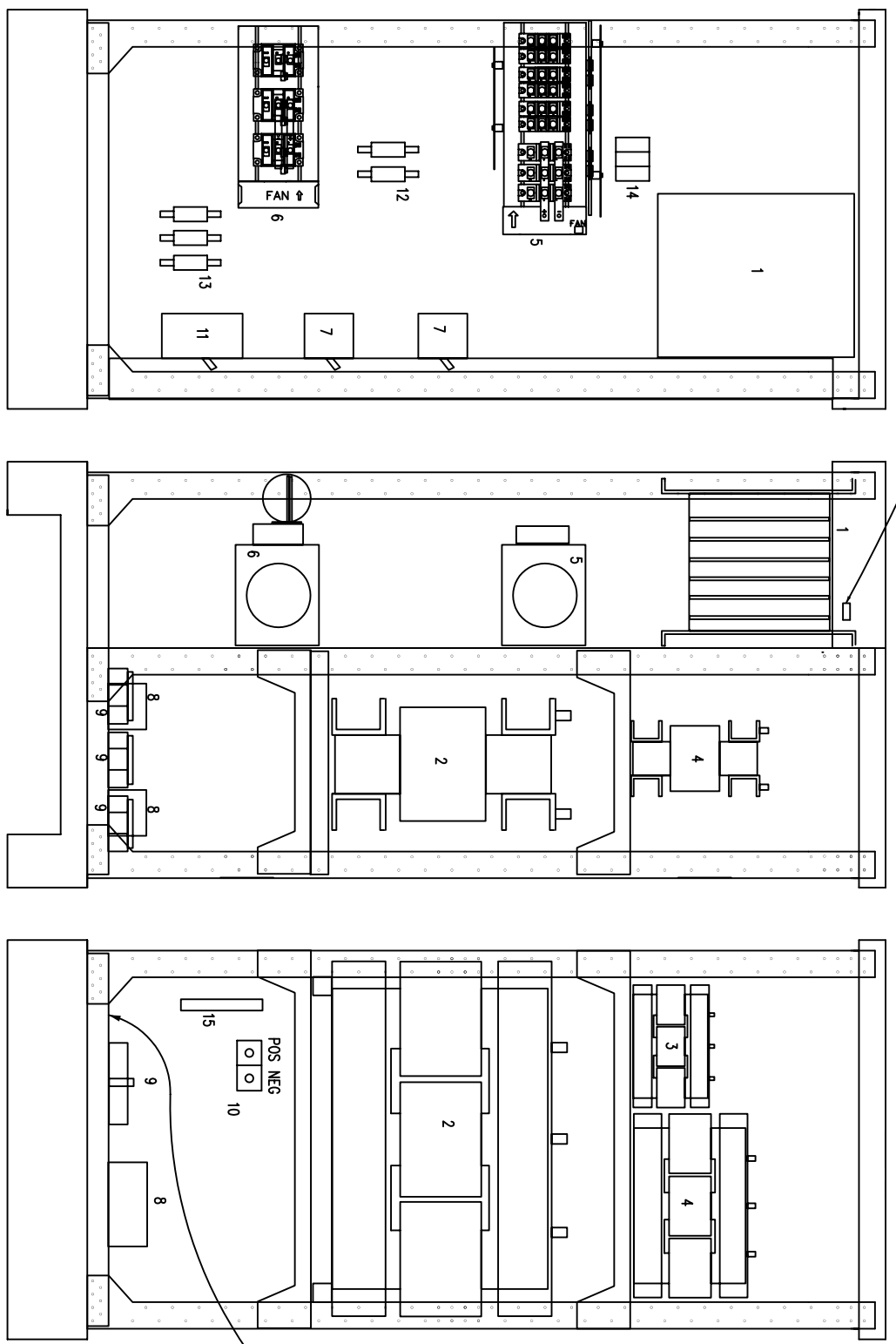
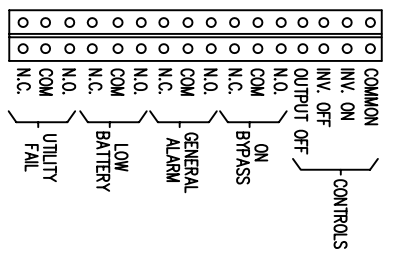
- 1 - ELECTRONICS RACK
- 2 - INVERTER TRF.
- 3 - AC CHOKE
- 4 - AUTODRMR.
- 5 - RECT/STAT. SWITCH POWER PACKS
- 6 - INVERTER POWER PACK
- 7 - MGBS
- 8 - RFI FILTERS

- 9 - TERMINALS
- 10 - BATTERY TERMINALS
- 11 - BATTERY BREAKER
- 12 - INVERTER FUSES
- 13 - BYPASS FUSES
- 14 - pf CORRECTION FUSES
- 15 - RELAY INTERFACE TERMINALS

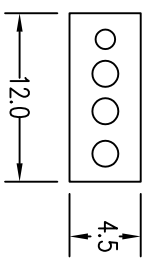
TERMINATION CONFIGURATION (BOTTOM, FRONT)
 TERMINAL BLOCK CAPACITY: 2/0 TO 14 GA.



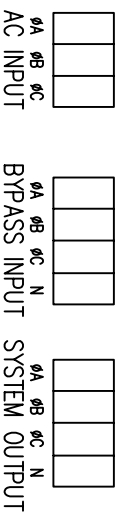
RELAYS RATED 1A @ 24VDC, 0.5A @ 120VAC RESISTIVE
 WIRE RANGE: 20-14 AWG



- 10KVA CONFIGURATION (208/208V)
 3/4" CONDUIT CONDUIT CONDUIT
 (BATTERY) (AC) (BYPASS) (OUTPUT)
- 10KVA CONFIGURATION (480/208V)
 1/2" CONDUIT CONDUIT CONDUIT
 (BATTERY) (AC) (BYPASS) (OUTPUT)
- 10KVA CONFIGURATION (480/480V)
 1/2" CONDUIT CONDUIT CONDUIT
 (BATTERY) (AC) (BYPASS) (OUTPUT)

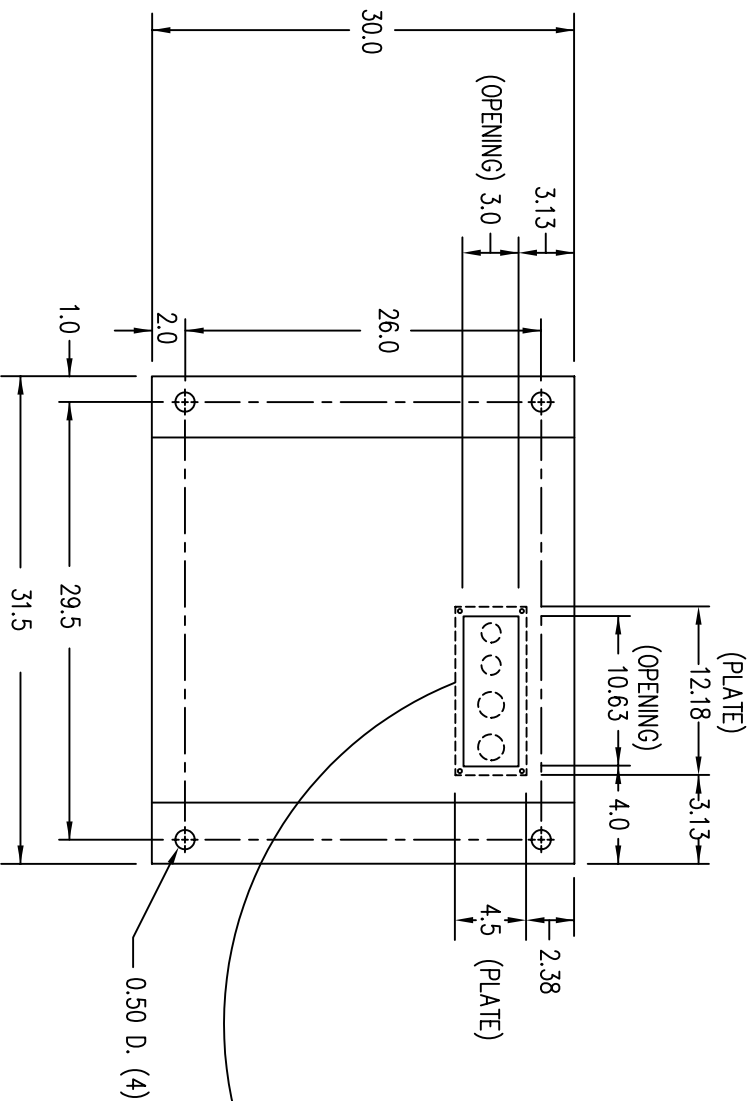


TERMINATION CONFIGURATION (BOTTOM, FRONT)
 TERMINAL BLOCK CAPACITY: 2/0 TO 14 GA.

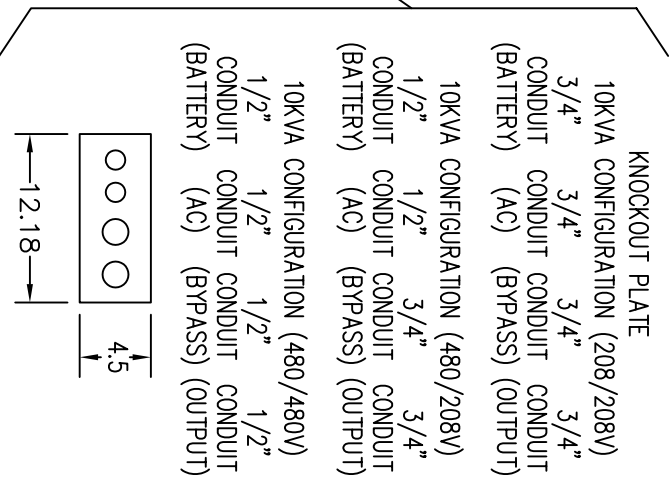


NOTE: ALL DIMENSIONS ARE IN INCHES UNLESS OTHERWISE SPECIFIED.

FRONT



(VIEW FROM BOTTOM OF CABINET)



KNOCKOUT PLATE

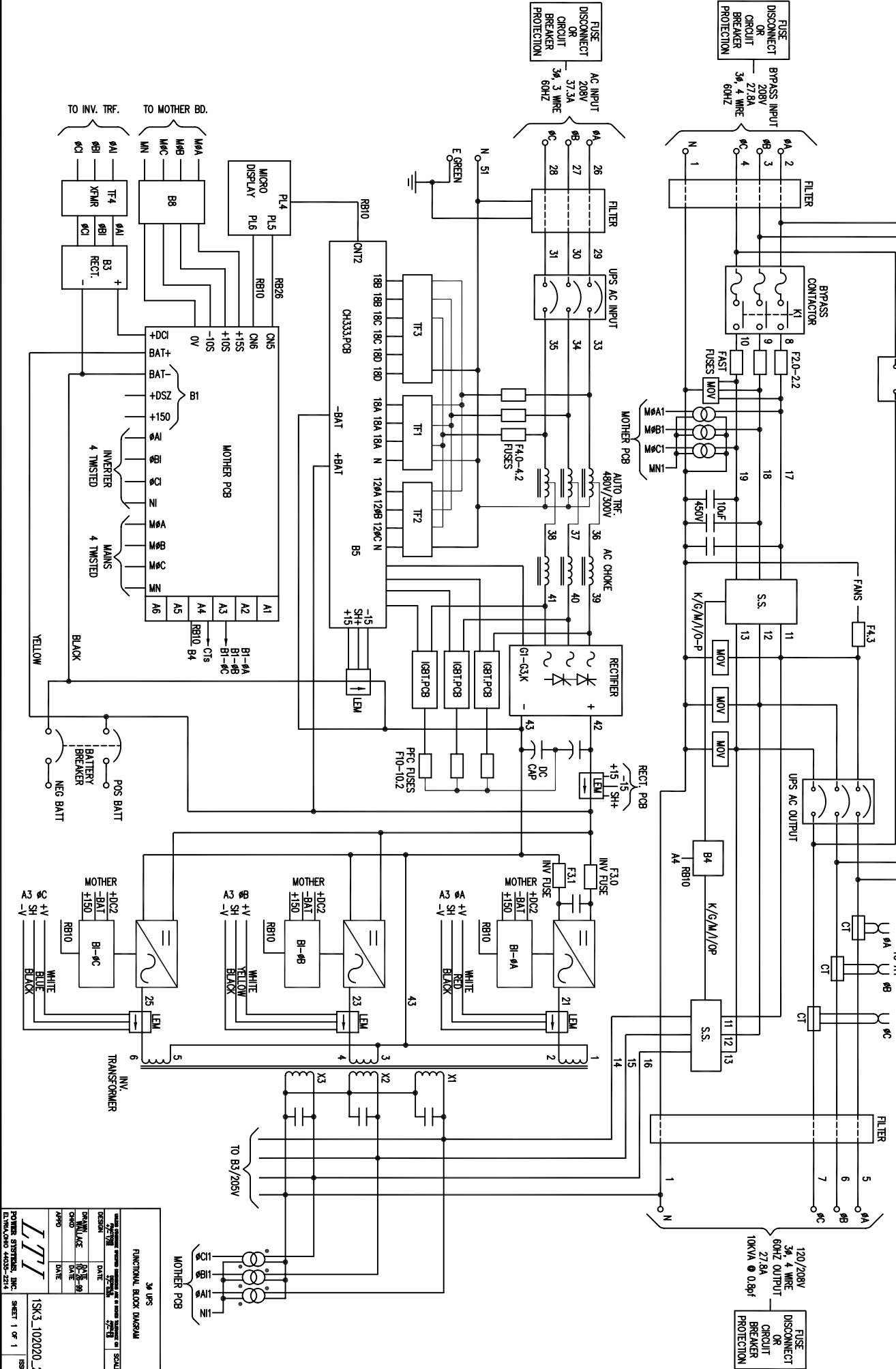
10kVA CONFIGURATION (208/208V)
 3/4" CONDUIT 3/4" CONDUIT 3/4" CONDUIT
 (BATTERY) (AC) (BYPASS) (OUTPUT)

10kVA CONFIGURATION (480/208V)
 1/2" CONDUIT 1/2" CONDUIT 3/4" CONDUIT
 (BATTERY) (AC) (BYPASS) (OUTPUT)

10kVA CONFIGURATION (480/480V)
 1/2" CONDUIT 1/2" CONDUIT 1/2" CONDUIT
 (BATTERY) (AC) (BYPASS) (OUTPUT)

- NOTES:
 1. WIRE SIZES BASED ON 90°C COPPER CONDUCTORS OPERATING IN 30°C AMBIENT AND NEC TABLES 250-95 AND 310-16. INCREASE CONDUCTOR SIZE FOR LONG RUNS.
 2. CLOCKWISE PHASE ROTATION MUST BE OBSERVED FOR BYPASS AND AC INPUTS.

AC INPUT	MAX INPUT CURRENT	CT BRKR RATING	A.I.C. RATING	TERM. CAPACITY	TORQUE	RECM. SIZE	RECM. FLUISING	RECM. GND. SIZE	RECM. CONDUIT
208V	37.3A	40A	25,000	14-2/0 AWG	50 IN/LBS	8 AWG	50A	8 AWG	3/4"
208V	27.8A	40A	25,000	14-2/0 AWG	50 IN/LBS	8 AWG	50A	8 AWG	3/4"
DC INPUT <td>30.5A</td> <td>40A</td> <td>25,000</td> <td>14-2/0 AWG</td> <td>50 IN/LBS</td> <td>8 AWG</td> <td>50A</td> <td>8 AWG</td> <td>3/4"</td>	30.5A	40A	25,000	14-2/0 AWG	50 IN/LBS	8 AWG	50A	8 AWG	3/4"



3A UPS
 FUNCTIONAL BLOCK DIAGRAM
 DESIGN: [] DATE: []
 DRAWN BY: [] DATE: []
 CHECKED BY: [] DATE: []
 APPROVED BY: [] DATE: []
 POWER SYSTEMS, INC.
 LEWISTOWN, OHIO 44628-2514
 ISSUES: []
 SHEET 1 OF 1