

Notes: Unless otherwise specified, dimensions are in inches. Dimensions within brackets [] are in millimeters.
 Recommended clearance for serviceability is 36" [914] on the left side, 18" [457.2] on the right side and 18" [457.2] at the back of the system.

LTI Power Systems, Inc.

TEL. (440) 327-5050

10800 Middle Ave. Elyria, Ohio 44035

ProUPS B800 ENCLOSURE
10-40KVA

10KVA WEIGHT: 860 LBS. (390 kg)
 15KVA WEIGHT: 950 LBS. (431 kg)
 20KVA WEIGHT: 1058 LBS. (480 kg)
 30KVA WEIGHT: 1150 LBS. (522 kg)
 40KVA WEIGHT: 1220 LBS. (554 kg)

LTI - ProUPS

CAD DWG NAME: RK333-A2

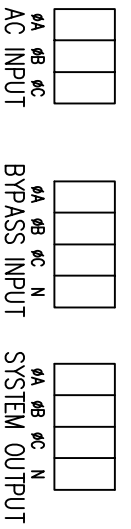
REV.

2

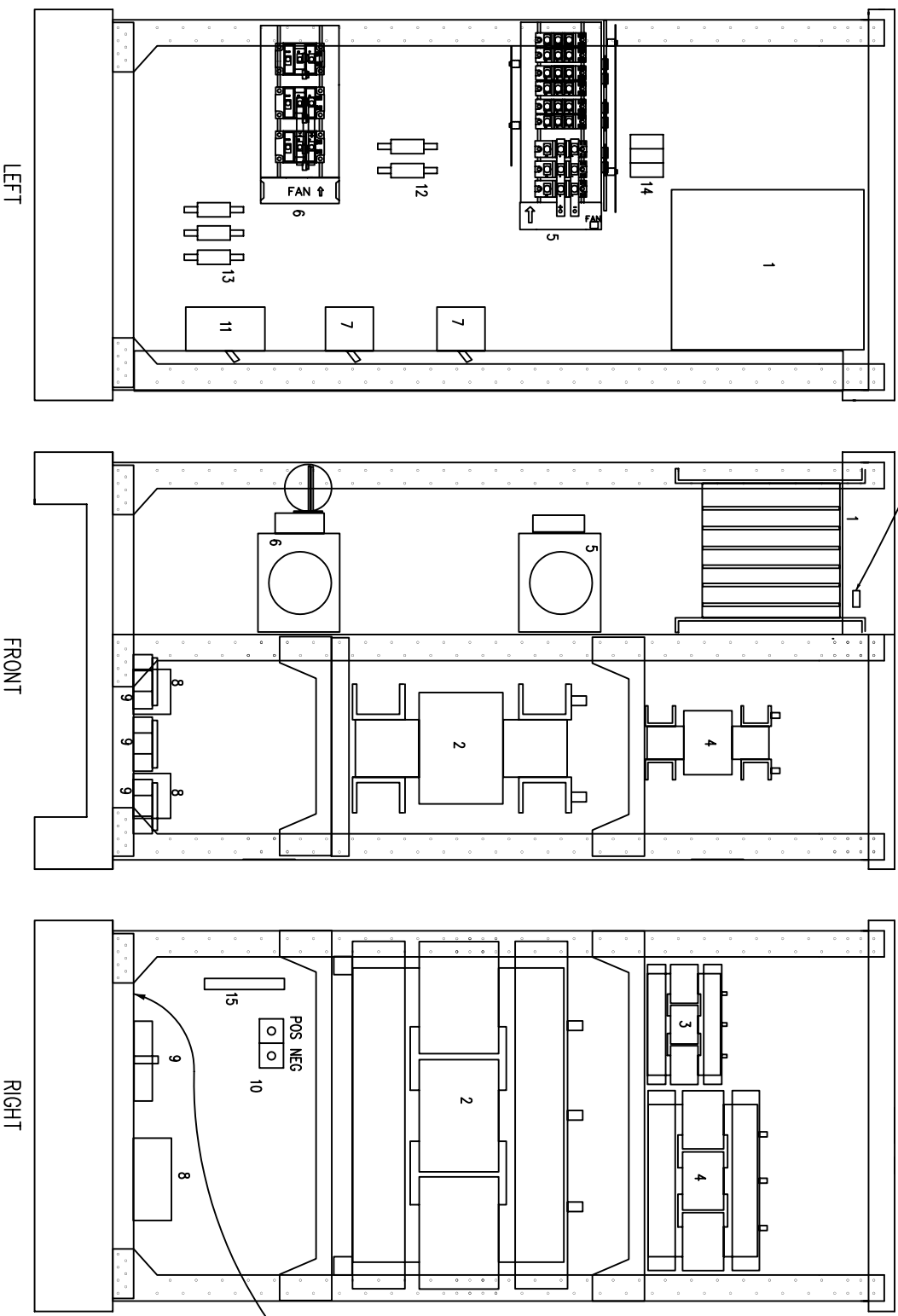
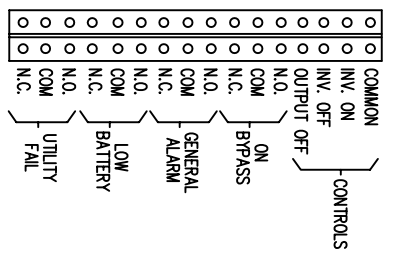
- 1 - ELECTRONICS RACK
- 2 - INVERTER TRF.
- 3 - AC CHOKE
- 4 - AUTOTRMR.
- 5 - RECT/STAT. SWITCH POWER PACKS
- 6 - INVERTER POWER PACK
- 7 - AOBs
- 8 - RFI FILTERS

- 9 - TERMINALS
- 10 - BATTERY TERMINALS
- 11 - BATTERY BREAKER
- 12 - INVERTER FUSES
- 13 - BYPASS FUSES
- 14 - pf CORRECTION FUSES
- 15 - RELAY INTERFACE TERMINALS

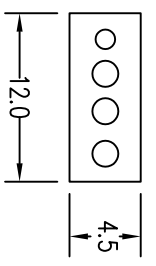
TERMINATION CONFIGURATION (BOTTOM, FRONT)
 TERMINAL BLOCK CAPACITY: 2/0 TO 14 GA.



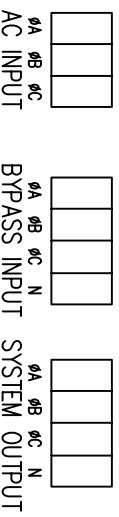
RELAYS RATED 1A @ 24VDC, 0.5A @ 120VAC RESISTIVE
 WIRE RANGE: 20-14 AWG



- 10KVA CONFIGURATION (208/208V)
 3/4" CONDUIT (AC)
 3/4" CONDUIT (BYPASS)
 3/4" CONDUIT (OUTPUT)
- 10KVA CONFIGURATION (480/208V)
 1/2" CONDUIT (AC)
 3/4" CONDUIT (BYPASS)
 3/4" CONDUIT (OUTPUT)
- 10KVA CONFIGURATION (480/480V)
 1/2" CONDUIT (AC)
 1/2" CONDUIT (BYPASS)
 1/2" CONDUIT (OUTPUT)

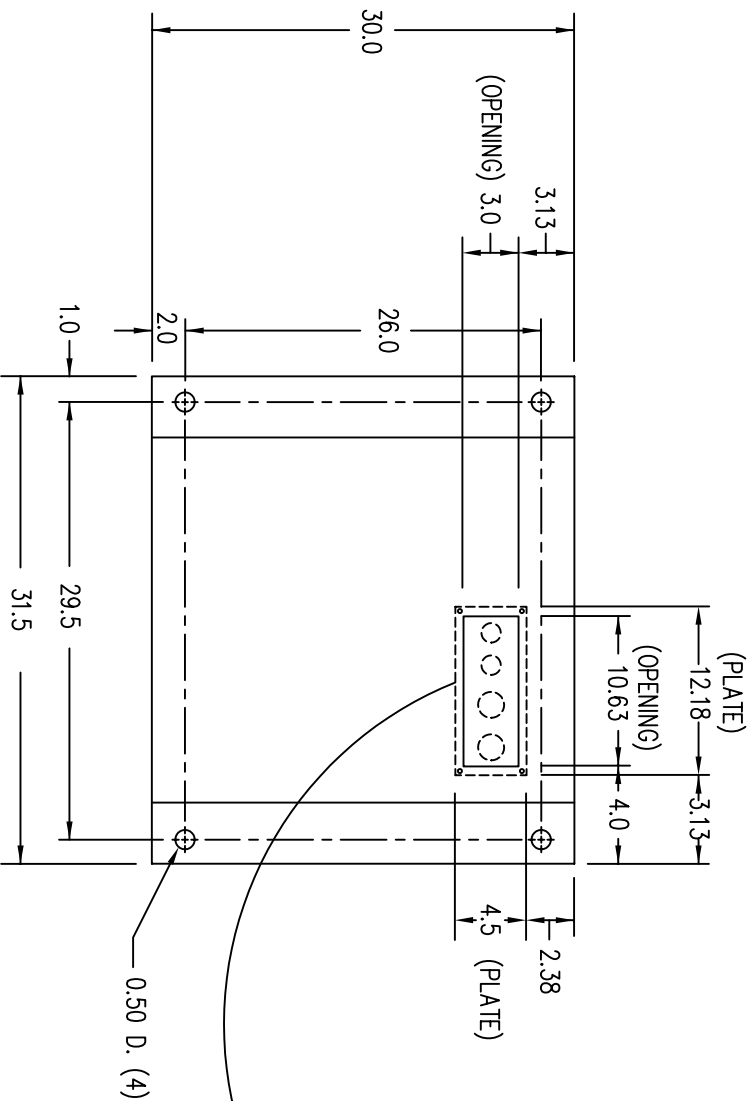


TERMINATION CONFIGURATION (BOTTOM, FRONT)
 TERMINAL BLOCK CAPACITY: 2/0 TO 14 GA.

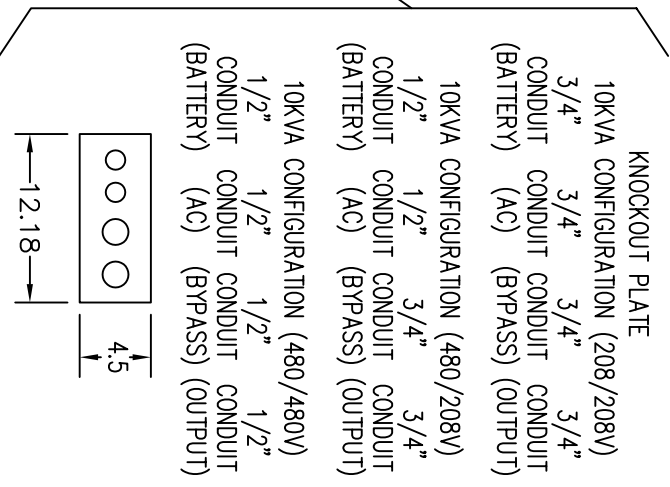


NOTE: ALL DIMENSIONS ARE IN INCHES UNLESS OTHERWISE SPECIFIED.

FRONT



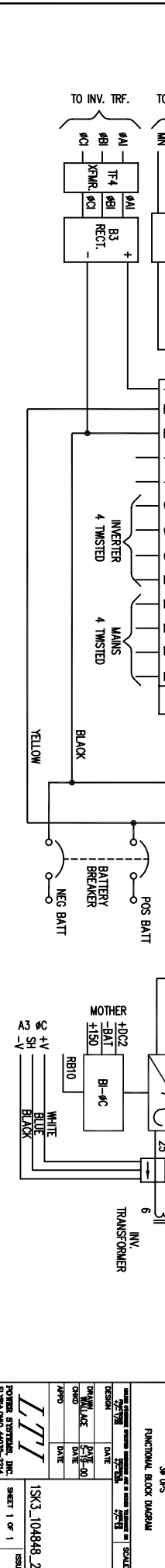
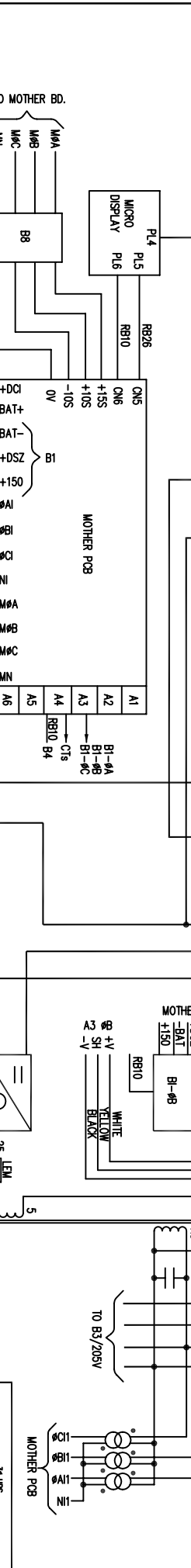
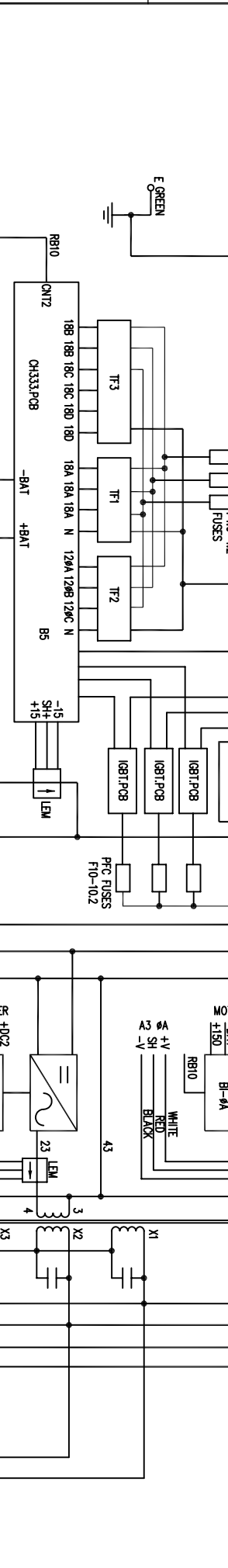
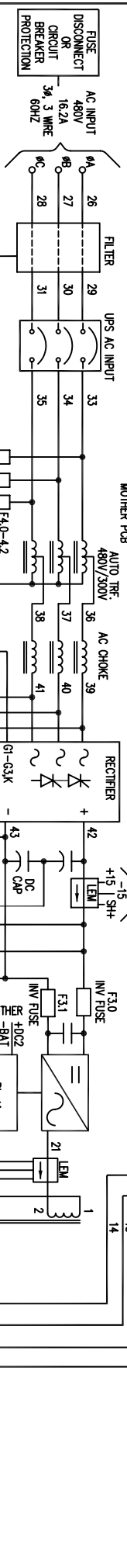
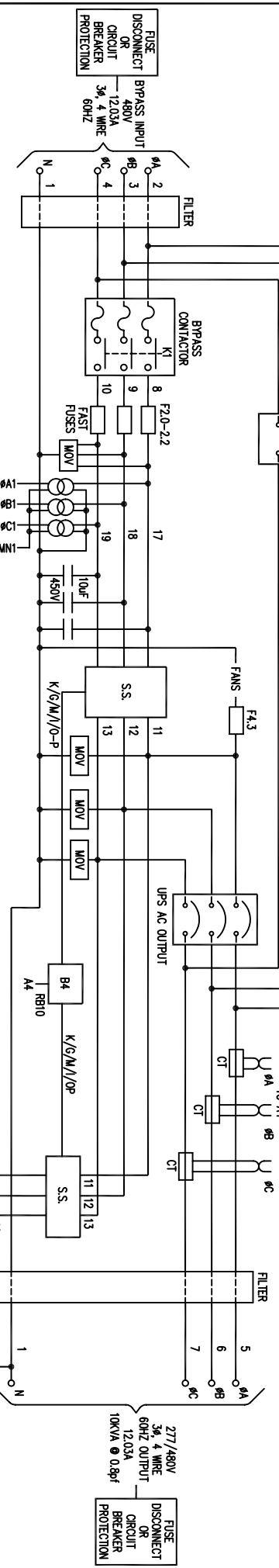
(VIEW FROM BOTTOM OF CABINET)



- NOTES:
1. WIRE SIZES BASED ON 90°C COPPER CONDUCTORS OPERATING IN 30°C AMBIENT AND NEC TABLES 250-95 AND 310-16. INCREASE CONDUCTOR SIZE FOR LONG RUNS.
 2. CLOCKWISE PHASE ROTATION MUST BE OBSERVED FOR BYPASS AND AC INPUTS.

MANUAL BYPASS

AC INPUT	MAX INPUT CURRENT	CT BRKR RATING	A.L.C. RATING	TERM. CAPACITY	TORQUE	RECM. SIZE	RECM. FUSING	RECM. GND. CONDUIT
480V	16.2A	20A	10,000	14-2/0 AWG	50 IN./LBS	12 AWG	25A	8 AWG
BYPASS INPUT/AC OUTPUT	12.03A	20A	10,000	14-2/0 AWG	50 IN./LBS	12 AWG	25A	8 AWG
480V	30.48A	40A	25,000	14-2/0 AWG	50 IN./LBS	12 AWG	25A	8 AWG
DC INPUT	30.48A	40A	25,000	14-2/0 AWG	50 IN./LBS	12 AWG	25A	8 AWG



3φ UPS
FUNCTIONAL BLOCK DIAGRAM
DESIGN: [] DATE: []
DRAWN: [] DATE: []
CHECKED: [] DATE: []
POWER SYSTEMS, INC.
EXTENSION 4553-2514
ISSUE: []
SHEET 1 OF 1