

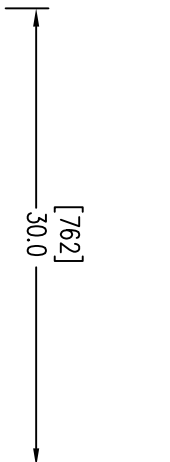
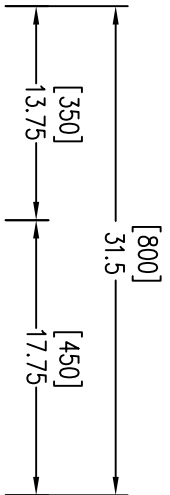
LEFT



FRONT



RIGHT



Notes: Unless otherwise specified, dimensions are in inches. Dimensions within brackets [] are in millimeters.
 Recommended clearance for serviceability is 36" [914] on the left side, 18" [457.2] on the right side and 18" [457.2] at the back of the system.

LTI Power Systems, Inc.

TEL. (440) 327-5050

10800 Middle Ave. Elyria, Ohio 44035

ProUPS B800 ENCLOSURE
 10-40KVA

10KVA WEIGHT: 860 LBS. (390 kg)
 15KVA WEIGHT: 950 LBS. (431 kg)
 20KVA WEIGHT: 1058 LBS. (480 kg)
 30KVA WEIGHT: 1150 LBS. (522 kg)
 40KVA WEIGHT: 1220 LBS. (554 kg)

LTI - ProUPS

CAD DWG NAME: RK333-A2

REV.

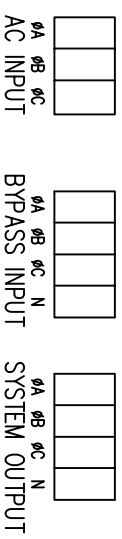
2

- 1 - ELECTRONICS RACK
- 2 - INVERTER TRF.
- 3 - AC CHOKE
- 4 - AUTODRMR.
- 5 - RECT/STAT. SWITCH POWER PACKS
- 6 - INVERTER POWER PACK
- 7 - AOB'S
- 8 - RFI FILTERS

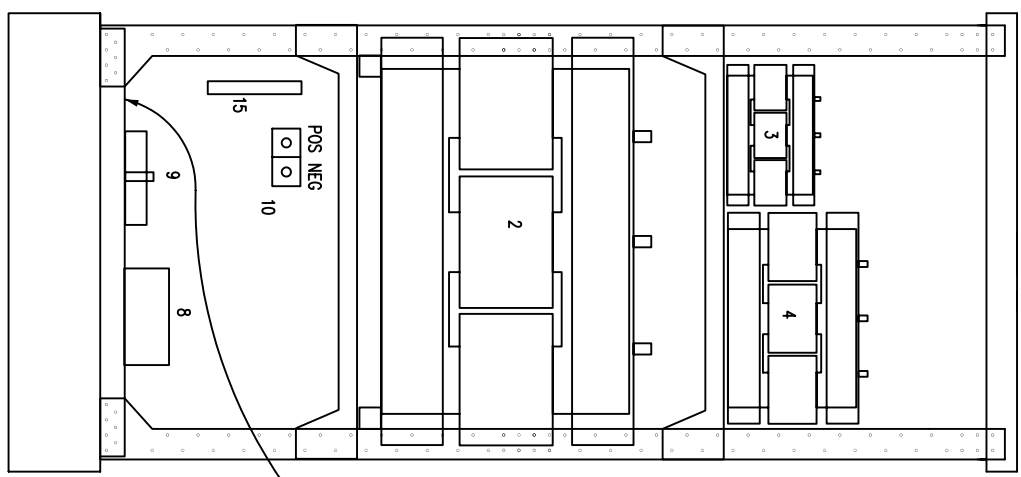
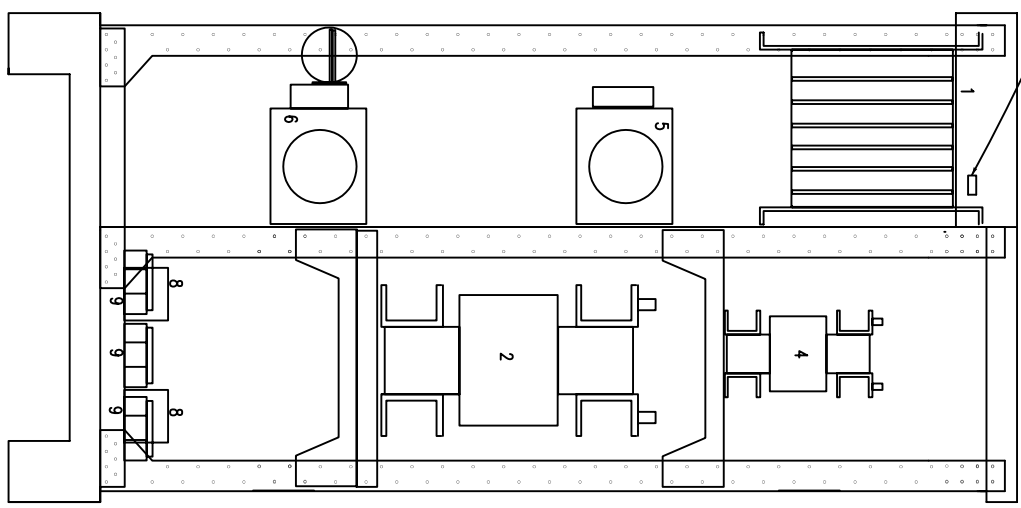
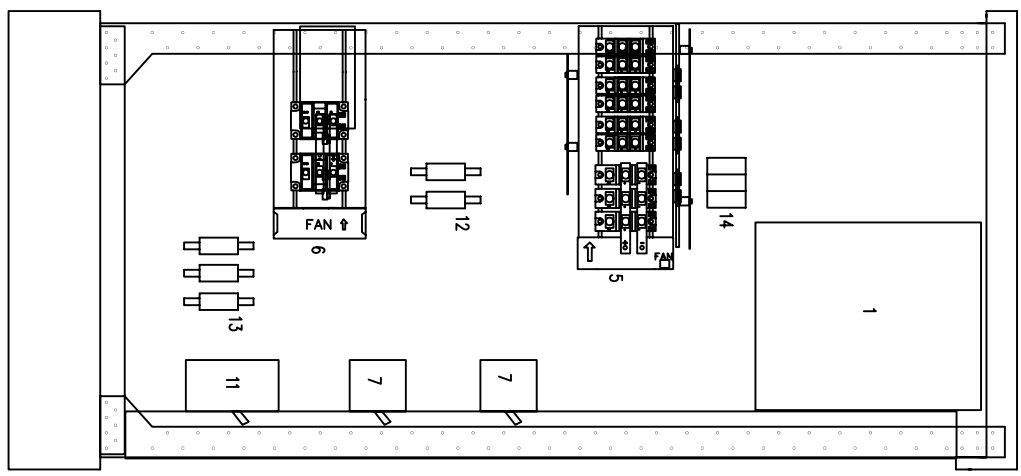
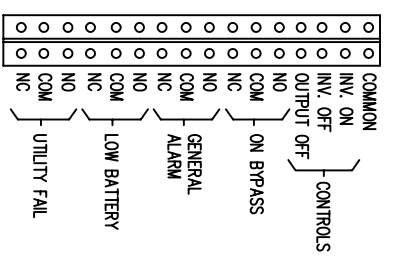
- 9 - TERMINALS
- 10 - BATTERY TERMINALS
- 11 - BATTERY BREAKER
- 12 - INVERTER FUSES
- 13 - BYPASS FUSES
- 14 - pf CORRECTION FUSES
- 15 - RELAY INTERFACE TERMINALS

TERMINATION CONFIGURATION (BOTTOM, FRONT)

TERMINAL BLOCK CAPACITY: 2/0 TO 14 GA.



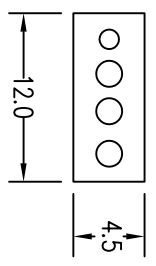
RELAY INTERFACE TERMINATIONS
 TERMINAL CAPACITY: 14 TO 20 AWG.
 RELAYS RATED 1A @ 24VDC, 0.5A @ 120VAC RESISTIVE



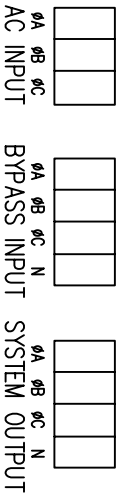
15KVA CONFIGURATION (208/208V)
 3/4" CONDUIT CONDUIT CONDUIT
 (BATTERY) (AC) (BYPASS) (OUTPUT)

15KVA CONFIGURATION (480/208V)
 3/4" 1/2" 3/4" 3/4"
 CONDUIT CONDUIT CONDUIT CONDUIT
 (BATTERY) (AC) (BYPASS) (OUTPUT)

15KVA CONFIGURATION (480/480V)
 3/4" 1/2" 1/2" 1/2"
 CONDUIT CONDUIT CONDUIT CONDUIT
 (BATTERY) (AC) (BYPASS) (OUTPUT)

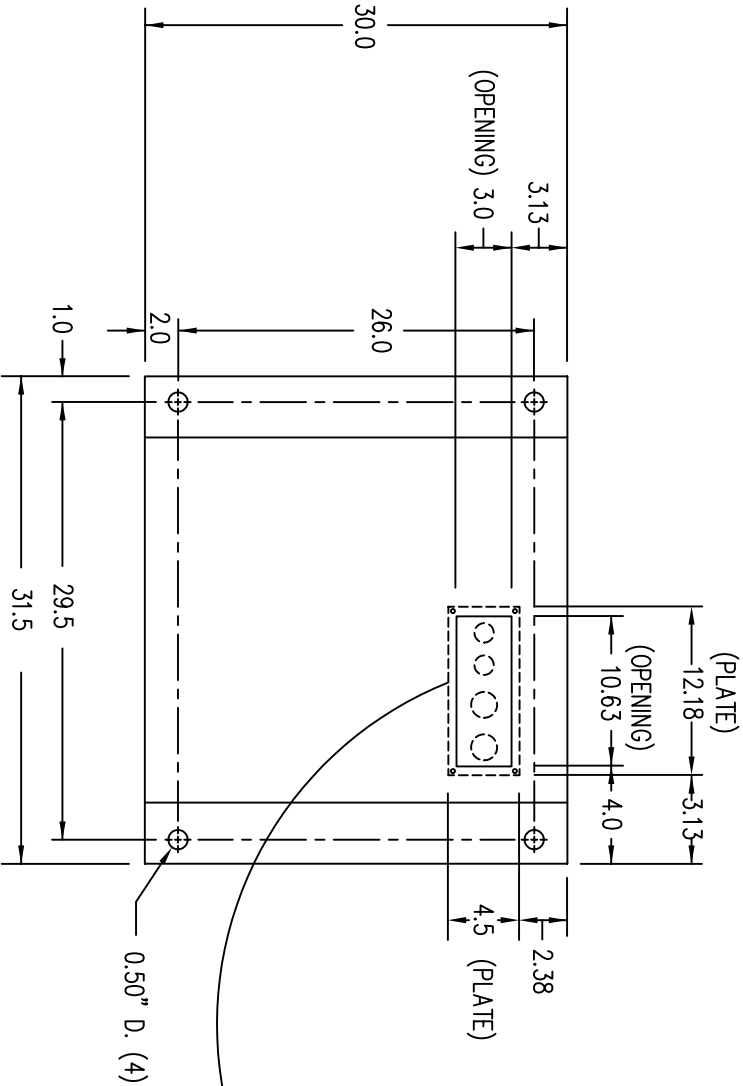


TERMINATION CONFIGURATION (BOTTOM, FRONT)
 TERMINAL BLOCK CAPACITY: 2/0 TO 14 GA.

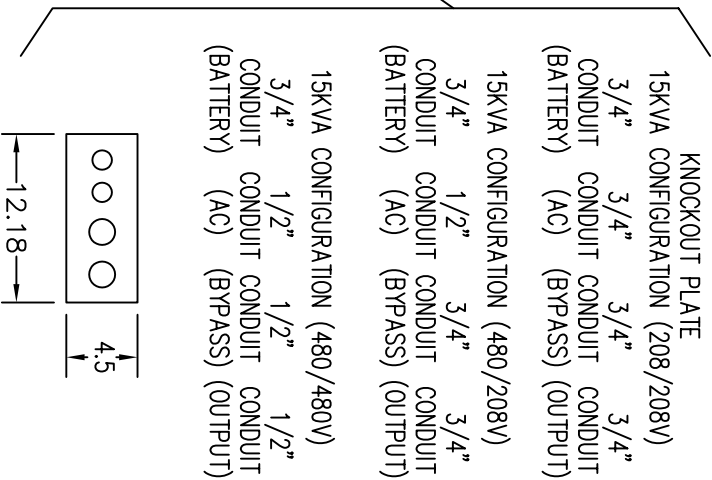


NOTE: ALL DIMENSIONS ARE IN INCHES UNLESS OTHERWISE SPECIFIED.

FRONT

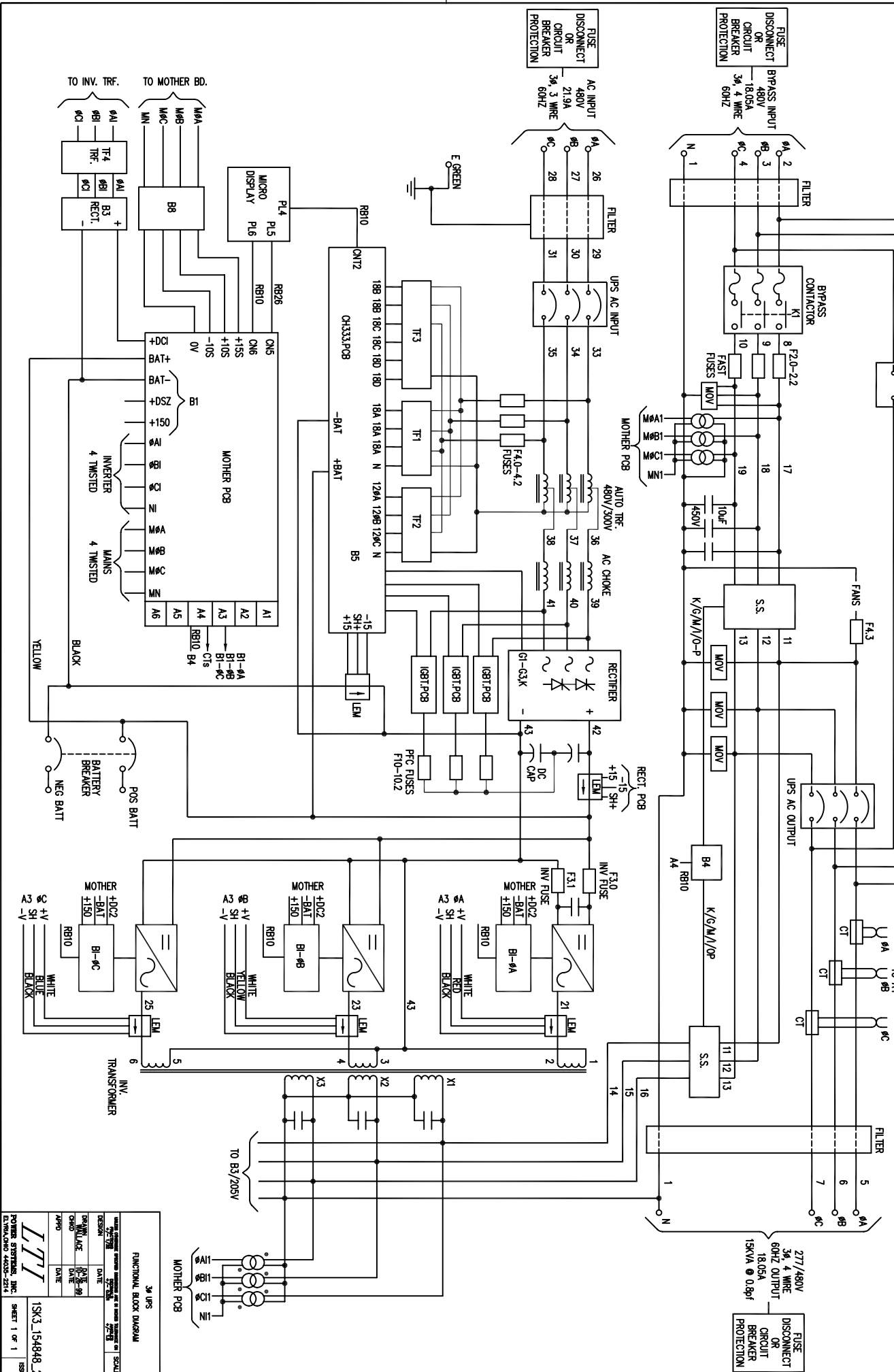


(VIEW FROM BOTTOM OF CABINET)



- NOTES:
1. WIRE SIZES BASED ON 90°C COPPER CONDUCTORS OPERATING IN 30°C AMBIENT AND NEC TABLES 250-95 AND 310-16. INCREASE CONDUCTOR SIZE FOR LONG RUNS.
 2. CLOCKWISE PHASE ROTATION MUST BE OBSERVED FOR BYPASS AND AC INPUTS.

| AC INPUT | MAX INPUT CURRENT | CT BRKR RATING | A.I.C. RATING | TERM. CAPACITY | TORQUE | RECM. SIZE | RECM. FUSING | RECM. GND. SIZE | RECM. CONDUIT |
|------------------------|-------------------|----------------|----------------------|---------------------------|-------------------|------------|------------------|-----------------------|--------------------|
| 480V | 21.9A | 30A | 25,000 | 14-2/0 AWG | 50 IN./LBS | 10 AWG | 30A | 8 AWG | 1/2" |
| BYPASS INPUT/AC OUTPUT | MAX 18.05A | 30A | A.I.C. RATING 5,000 | TERM. CAPACITY 14-2/0 AWG | TORQUE 50 IN./LBS | 10 AWG | RECM. FUSING 40A | RECM. GND. SIZE 8 AWG | RECM. CONDUIT 1/2" |
| DC INPUT | MAX CURRENT 45.7A | 50A | A.I.C. RATING 25,000 | TERM. CAPACITY 14-2/0 AWG | TORQUE 50 IN./LBS | 10 AWG | RECM. FUSING 60A | RECM. GND. SIZE 8 AWG | RECM. CONDUIT 3/4" |



34 UPS

FUNCTIONAL BLOCK DIAGRAM

DESIGN: [] DATE: []

REV: [] DATE: []

APPD: [] DATE: []

POWER SYSTEMS, INC.

EXTENSION 4525-2514

ISSUE

15K3_154848_2

SHEET 1 OF 1