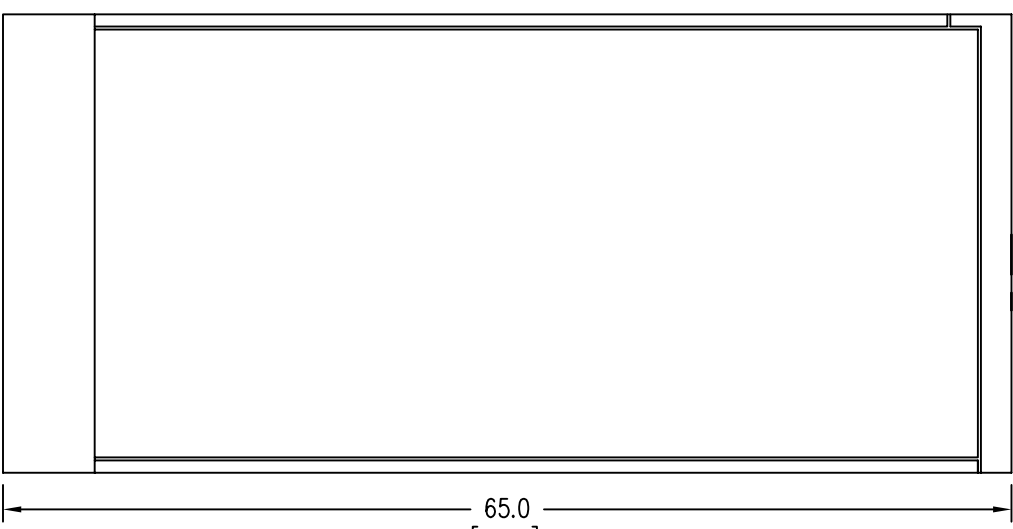


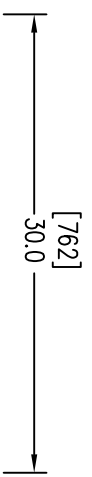
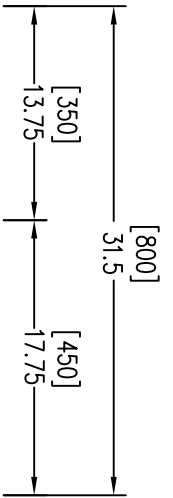
LEFT



FRONT



RIGHT



Notes: Unless otherwise specified, dimensions are in inches. Dimensions within brackets [ ] are in millimeters.  
 Recommended clearance for serviceability is 36" [914] on the left side, 18" [457.2] on the right side and 18" [457.2] at the back of the system.

**LTI Power Systems, Inc.**

PROUPS B800 ENCLOSURE  
 10-40KVA

10KVA WEIGHT W/SKID: 990 LBS. (446 kg)  
 15KVA WEIGHT W/SKID: 1025 LBS. (461 kg)  
 20KVA WEIGHT W/SKID: 1080 LBS. (486 kg)  
 30KVA WEIGHT W/SKID: 1175 LBS. (529 kg)  
 40KVA WEIGHT W/SKID: 1550 LBS. (698 kg)

LTI - PROUPS

CAD DWG NAME: RK333-A3

REV.  
 3

TEL. (440) 327-5050  
 10800 Middle Ave. Elyria, Ohio 44035

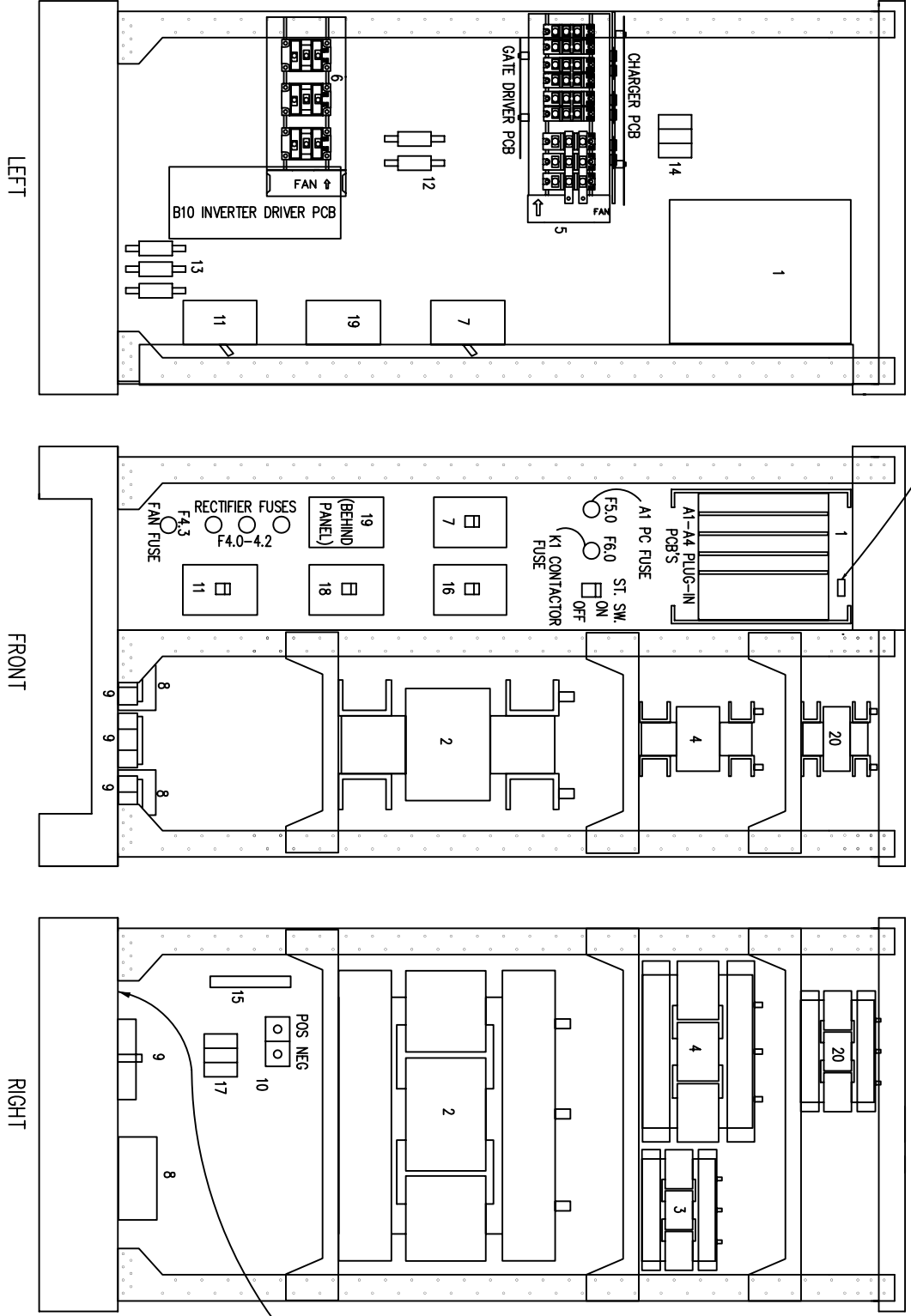
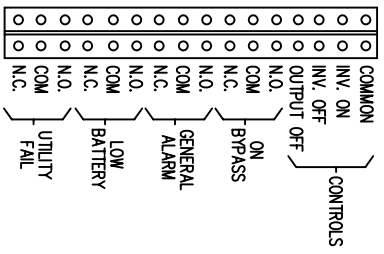
- 1 - ELECTRONICS RACK
- 2 - INVERTER TRANSFORMER
- 3 - AC CHOKE
- 4 - AUTOTRANSFORMER
- 5 - RECT/STAT. SWITCH POWER PACKS
- 6 - INVERTER POWER PACKS
- 7 - MANUAL BYPASS CIRCUIT BREAKER
- 8 - RFI FILTERS
- 9 - INPUT/OUTPUT TERMINALS
- 10 - BATTERY TERMINALS
- 11 - BATTERY CIRCUIT BREAKER
- 12 - INVERTER FUSES (F3.0-3.1)
- 13 - BYPASS FUSES (F2.0-2.2)
- 14 - pf CORRECTION FUSES (F10-10.2)
- 15 - RELAY INTERFACE TERMINALS
- 16 - AC OUTPUT CIRCUIT BREAKER
- 17 - INPUT FUSES (F5.0-5.2)
- 18 - AC INPUT CIRCUIT BREAKER
- 19 - INPUT/OUTPUT TERMINALS
- 20 - 600V AUTOTRANSFORMER

TERMINATION CONFIGURATION (BOTTOM, FRONT)

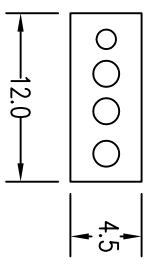
TERMINAL BLOCK CAPACITY: 2/0 TO 14 GA.  
TORQUE: 50 IN/LBS



RELAY INTERFACE TERMINATIONS  
TERMINAL CAPACITY: 20-14 AWG  
RELAYS RATED 1A @ 24VDC, 0.5A @ 120VAC RESISTIVE



15KVA CONFIGURATION (600/208V)  
3/4" CONDUIT (BATTERY)  
1/2" CONDUIT (AC)  
3/4" CONDUIT (BYPASS)  
3/4" CONDUIT (OUTPUT)



LTI Power Systems, Inc.

TEL. (440) 327-5050

10800 Middle Ave. Bldg. B Elyria, Ohio 44035

15KVA ASSEMBLY

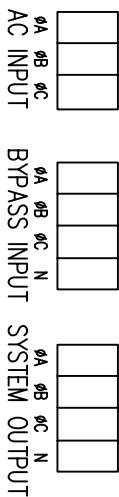
SHEET 1 OF 1

LTI-PROUPS

CAD DWG NAME: 15K33\_6020

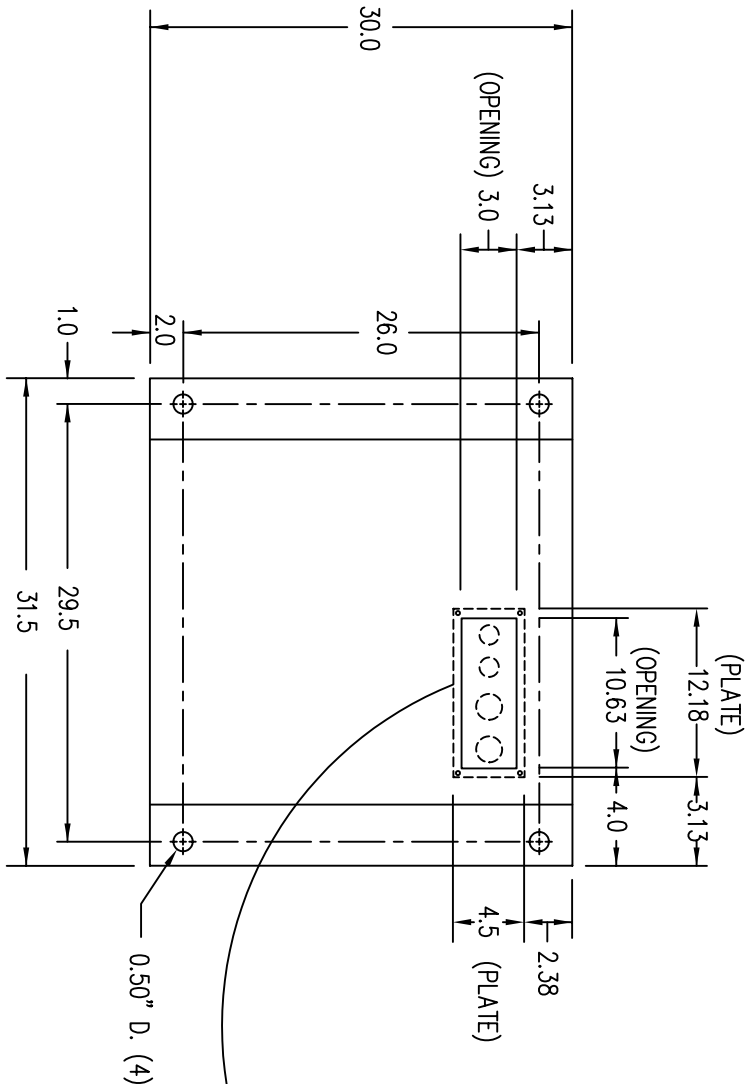
REV. 2

TERMINATION CONFIGURATION (BOTTOM, FRONT)  
 TERMINAL BLOCK CAPACITY: 2/0 TO 14 GA.

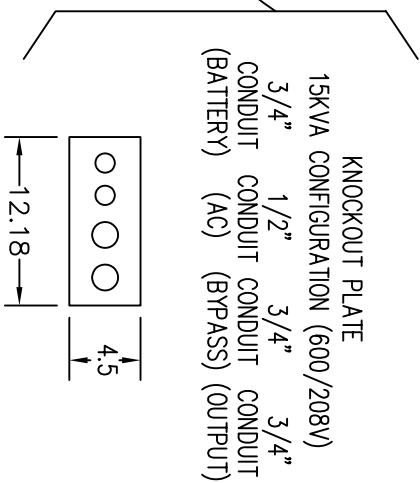


NOTE: ALL DIMENSIONS ARE IN INCHES UNLESS OTHERWISE SPECIFIED.

FRONT



(VIEW FROM BOTTOM OF CABINET)



LTI Power Systems, Inc.

15KVA ASSEMBLY

LTI-PROUPS

REV. 1

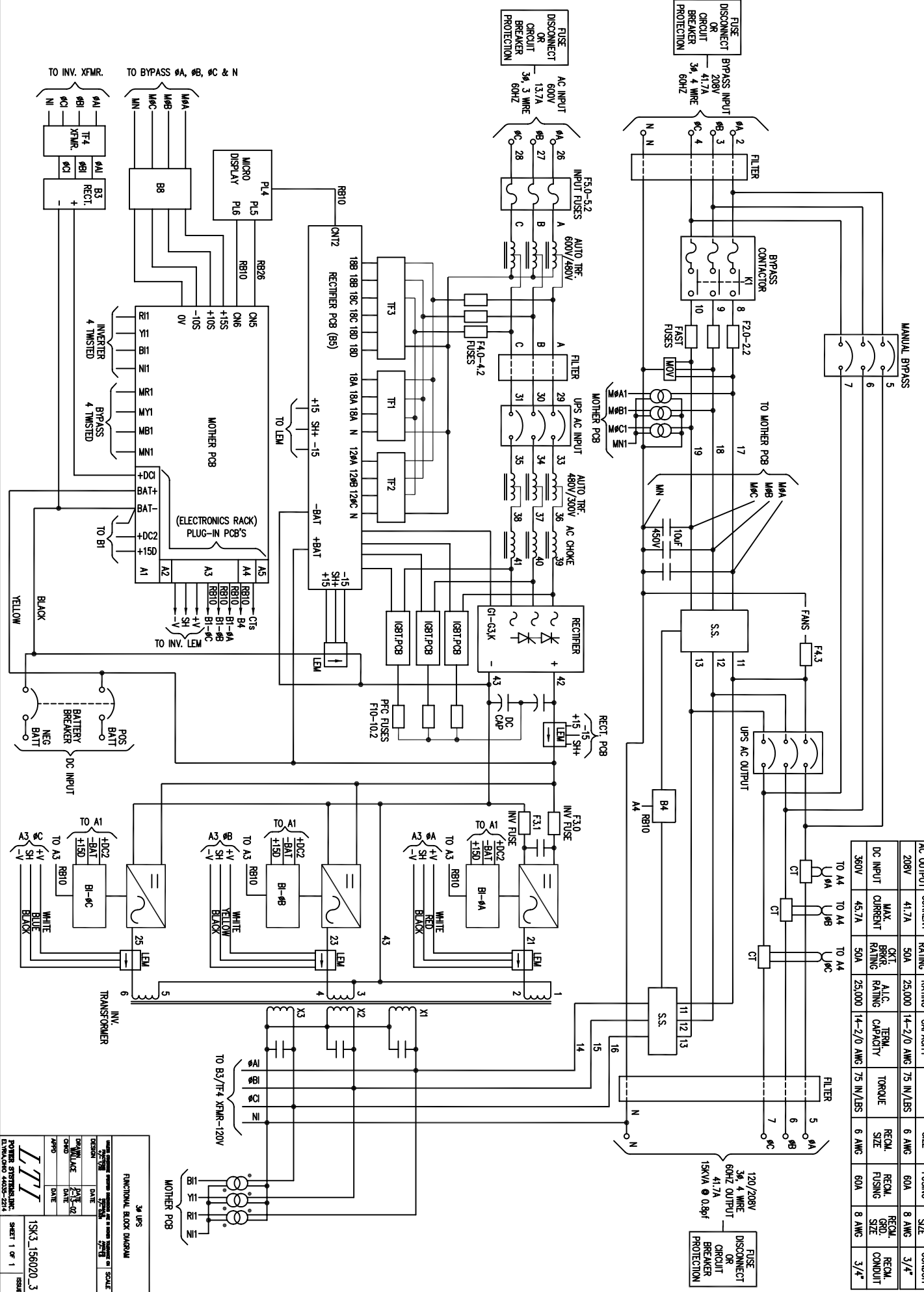
TEL. (440) 327-5050

10800 Middle Ave. Bldg. B Elyria, Ohio 44035

SHEET 1 OF 1

CAD DWG NAME: 15K33\_6020BASE

NOTES:  
 1. WIRE SIZES BASED ON 90°C COPPER CONDUCTORS OPERATING IN 30°C AMBIENT AND NEC TABLES 250-95 AND 310-16. INCREASE CONDUCTOR SIZE FOR LONG RUNS.  
 2. CLOCKWISE PHASE ROTATION MUST BE OBSERVED FOR BYPASS AND AC INPUTS.



AC INPUT	MAX. INPUT CURRENT	OKT. BRKR. RATING	ALC. CAPACITY	TORQUE	RECM. SIZE	RECM. FUSING	RECM. CONDUIT
600V	13.7A	20A	5,000	75 IN/LBS	10 AWG	30A	1/2"
BYPASS INPUT/AC OUTPUT	41.7A	50A	25,000	75 IN/LBS	6 AWG	60A	3/4"
208V	41.7A	50A	14-2/0 AWG	75 IN/LBS	6 AWG	60A	3/4"
DC INPUT	360V	50A	14-2/0 AWG	75 IN/LBS	6 AWG	60A	3/4"

3A UPS  
 FUNCTIONAL BLOCK DIAGRAM  
 SCALE: 1" = 100'  
 DATE: 12/15/82  
 DRAWN BY: JAC  
 CHECKED BY: JAC  
 DATE: 12/15/82  
 15K3.156020.3  
 SHEET 1 OF 1  
 POWER SYSTEMS, INC.  
 ELKHART, IN 46535-2214