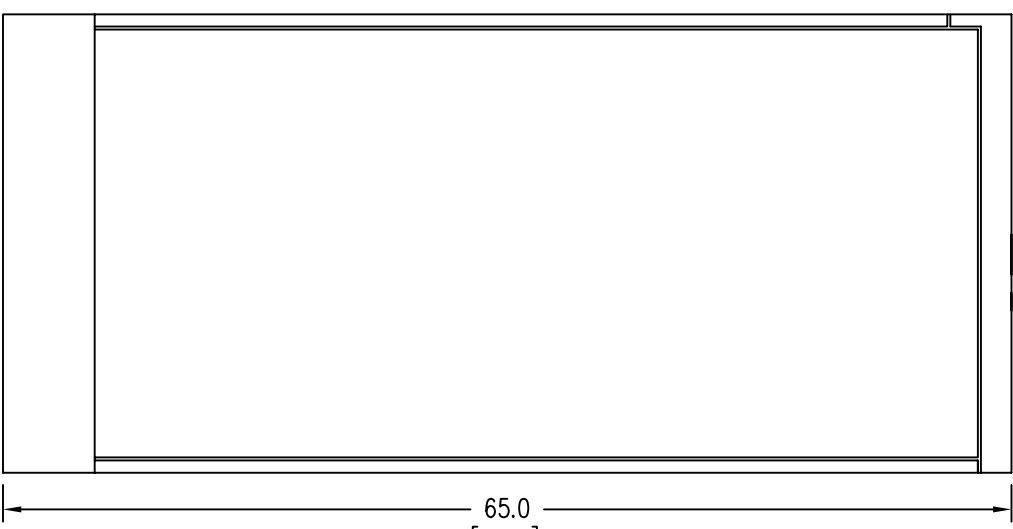


LEFT



FRONT



RIGHT

Notes: Unless otherwise specified, dimensions are in inches. Dimensions within brackets [] are in millimeters.
 Recommended clearance for serviceability is 36" [914] on the left side, 18" [457.2] on the right side and 18" [457.2] at the back of the system.

LTI Power Systems, Inc.

TEL. (440) 327-5050

10800 Middle Ave. Elyria, Ohio 44035

PROUPS B800 ENCLOSURE
 10-40KVA

10KVA WEIGHT W/SKID: 990 LBS. (446 kg)
 15KVA WEIGHT W/SKID: 1025 LBS. (461 kg)
 20KVA WEIGHT W/SKID: 1080 LBS. (486 kg)
 30KVA WEIGHT W/SKID: 1175 LBS. (529 kg)
 40KVA WEIGHT W/SKID: 1550 LBS. (698 kg)

LTI - PROUPS

CAD DWG NAME: RK333-A3

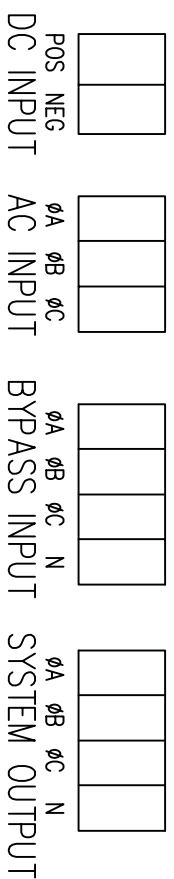
REV.
 3

- 1 - ELECTRONICS RACK
- 2 - INVERTER TRANSFORMER
- 3 - AC CHOKE
- 4 - INPUT AUTOTRANSFORMER
- 5 - RECT/STATIC SWITCH POWER PACKS
- 6 - INVERTER POWER PACKS
- 7 - MANUAL BYPASS CIRCUIT BREAKER
- 8 - RFI FILTERS
- 9 - INPUT/OUTPUT TERMINALS
- 10 - BATTERY TERMINALS
- 11 - BATTERY CIRCUIT BREAKER
- 12 - INVERTER FUSES (F3.0-3.1)
- 13 - BYPASS FUSES (F2.0-2.2)
- 14 - pf CORRECTION FUSES (F10-10.2)
- 15 - RELAY INTERFACE TERMINALS
- 16 - AC OUTPUT CIRCUIT BREAKER
- 17 - AC INPUT CIRCUIT BREAKER
- 18 - K1 CONTACTOR

TERMINATION CONFIGURATION (BOTTOM, FRONT)

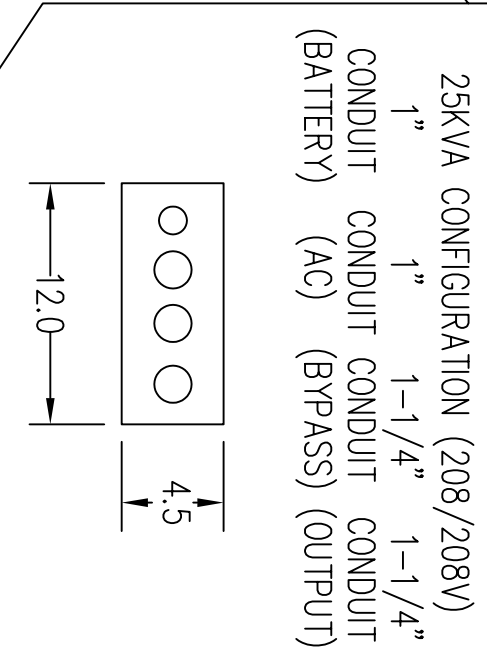
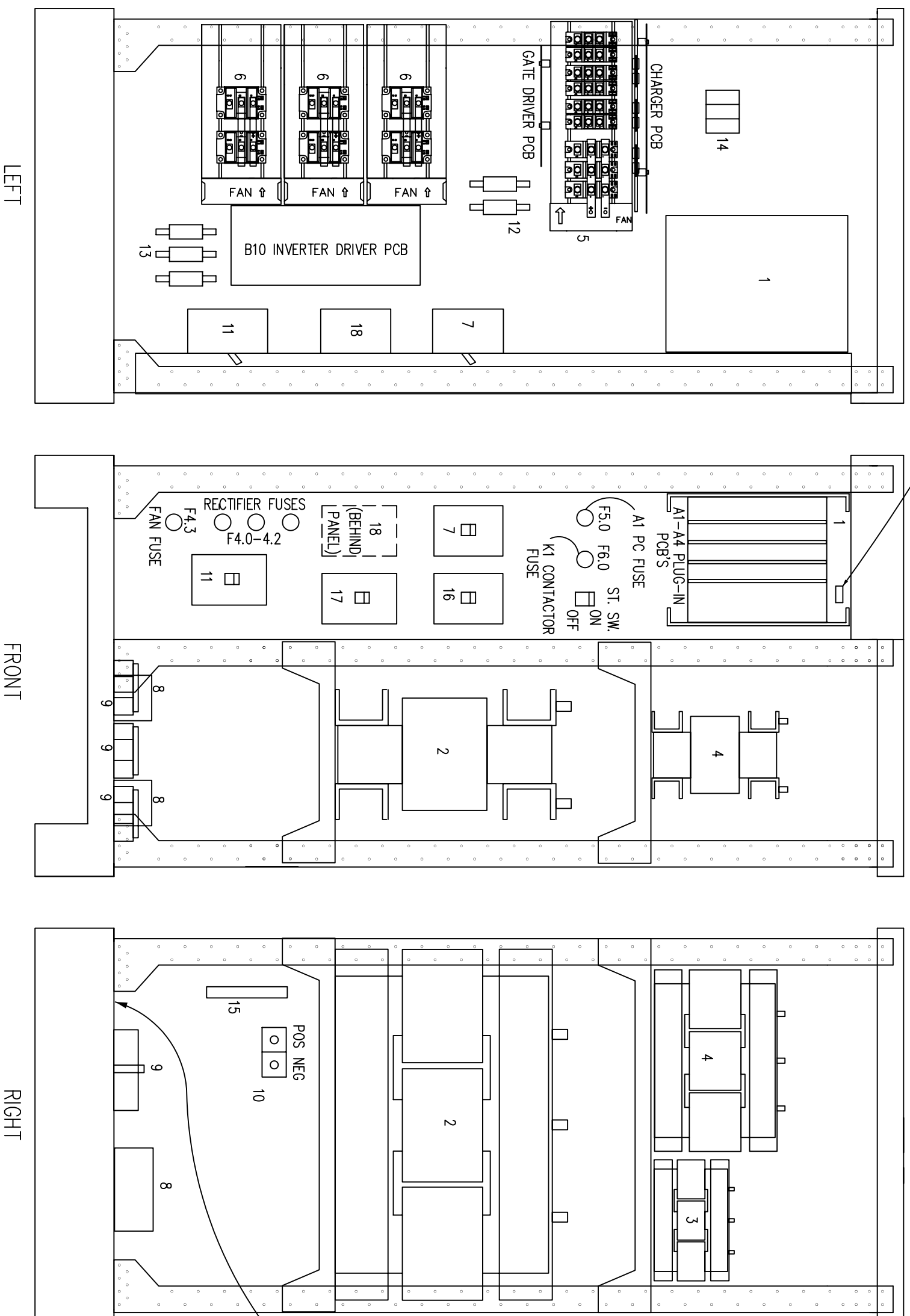
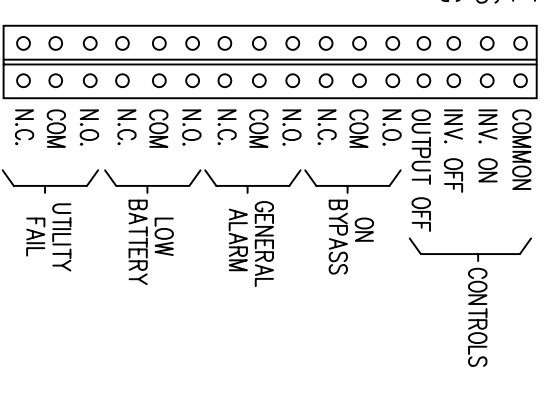
TERMINAL BLOCK CAPACITY: 2/0 TO 14 GA.

TORQUE: 50 IN/LBS

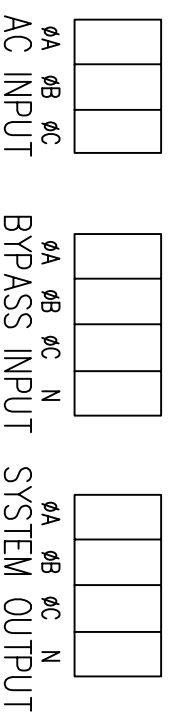


RELAYS RATED 1A @ 24VDC, 0.5A @ 120VAC RESISTIVE

RELAY INTERFACE TERMINATIONS
WIRE RANGE: 20-14 AWG

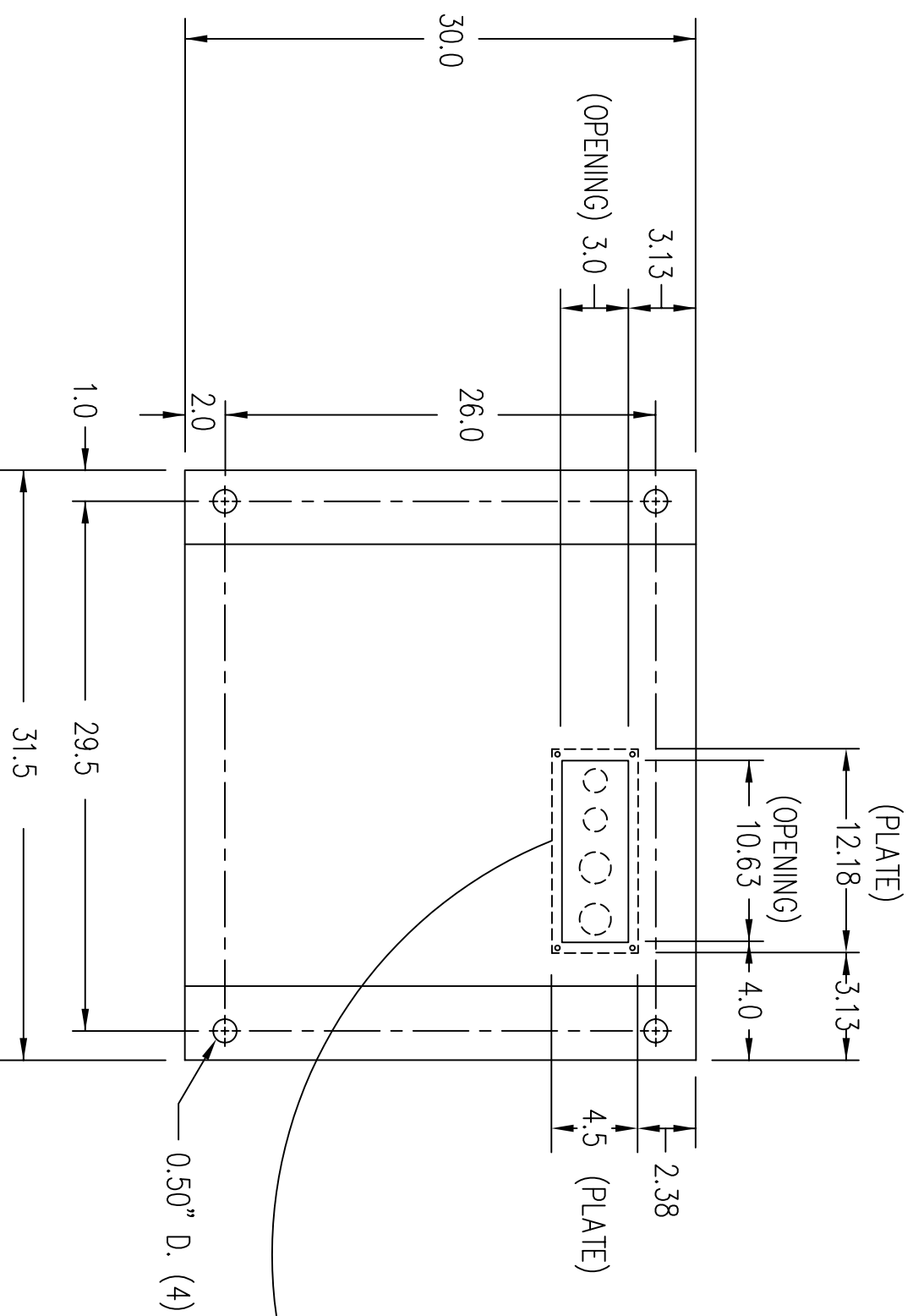


TERMINATION CONFIGURATION (BOTTOM, FRONT)
 TERMINAL BLOCK CAPACITY: 2/0 TO 14 GA.

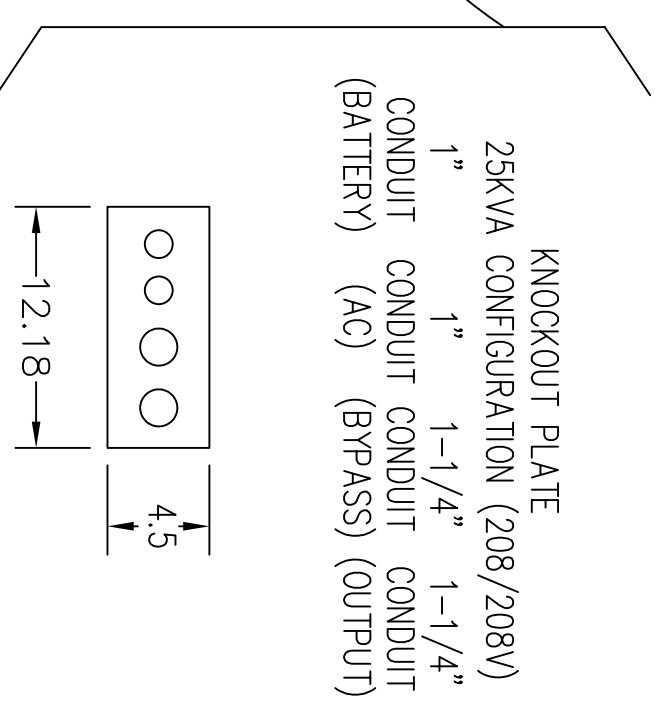


NOTE: ALL DIMENSIONS ARE IN INCHES UNLESS OTHERWISE SPECIFIED.

FRONT



(VIEW FROM BOTTOM OF CABINET)



LTI Power Systems, Inc.

25KVA ASSEMBLY

LTI - PROUPS

REV. 1

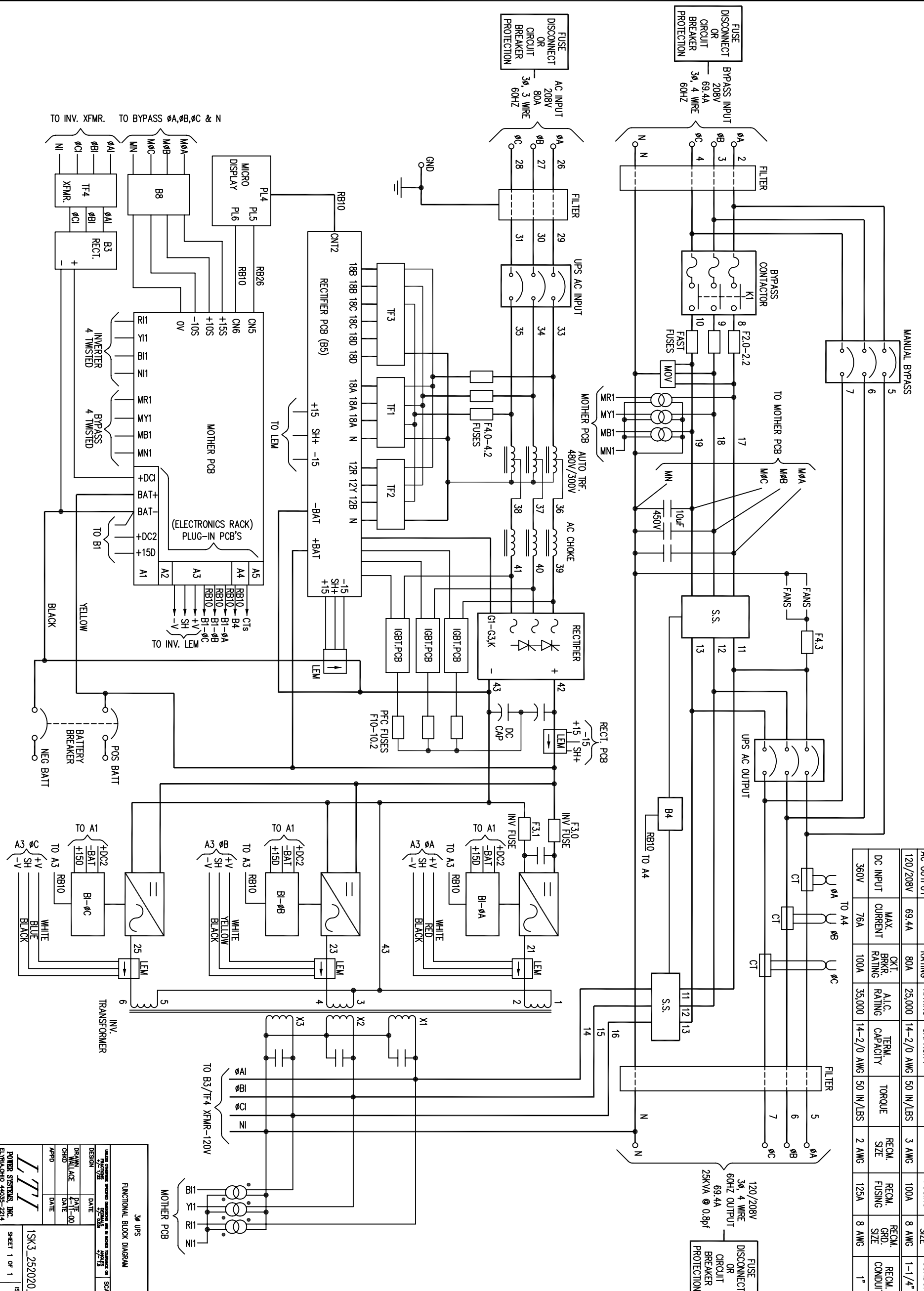
TEL. (440) 327-5050

10800 Middle Ave. Bldg. B Elyria, Ohio 44035

SHEET 1 OF 1

CAD DWG NAME: 25K2020_BASE

- NOTES:
1. WIRE SIZES BASED ON 90°C COPPER CONDUCTORS OPERATING IN 30°C AMBIENT AND NEC TABLES 250-95 AND 310-16. INCREASE CONDUCTOR SIZE FOR LONG RUNS.
 2. CLOCKWISE PHASE ROTATION MUST BE OBSERVED FOR BYPASS AND AC INPUTS.



AC INPUT	MAX. INPUT CURRENT	BRKR. RATING	A.I.C. RATING	TERM. CAPACITY	TORQUE	RECM. SIZE	RECM. FUSING	RECM. GRD. SIZE	RECM. CONDUIT
208V	80A	100A	25,000	14-2/0 AWG	50 IN/LBS	2 AWG	125A	8 AWG	1"
BYPASS INPUT/AC OUTPUT	MAX. CURRENT	BRKR. RATING	A.I.C. RATING	TERM. CAPACITY	TORQUE	RECM. SIZE	RECM. FUSING	RECM. GRD. SIZE	RECM. CONDUIT
120/208V	69.4A	80A	25,000	14-2/0 AWG	50 IN/LBS	3 AWG	100A	8 AWG	1-1/4"
DC INPUT	MAX. CURRENT	BRKR. RATING	A.I.C. RATING	TERM. CAPACITY	TORQUE	RECM. SIZE	RECM. FUSING	RECM. GRD. SIZE	RECM. CONDUIT
360V	76A	100A	35,000	14-2/0 AWG	50 IN/LBS	2 AWG	125A	8 AWG	1"

3A UPS

FUNCTIONAL BLOCK DIAGRAM

UNITS CONFORM TO THE REQUIREMENTS OF THE NATIONAL FIRE PROTECTION ASSOCIATION (NFPA) STANDARD 79-1983.

DESIGN DATE 2/2/78

DRAWN DATE 1/2/80

CHECKED DATE

APPD DATE

POWER SYSTEMS, INC.

ELMWOOD 44035-2714

15K3_252020_2

SHEET 1 OF 1

ISSUE