



Industrial Inverters 24 / 48 / 120VDC

Series 1000

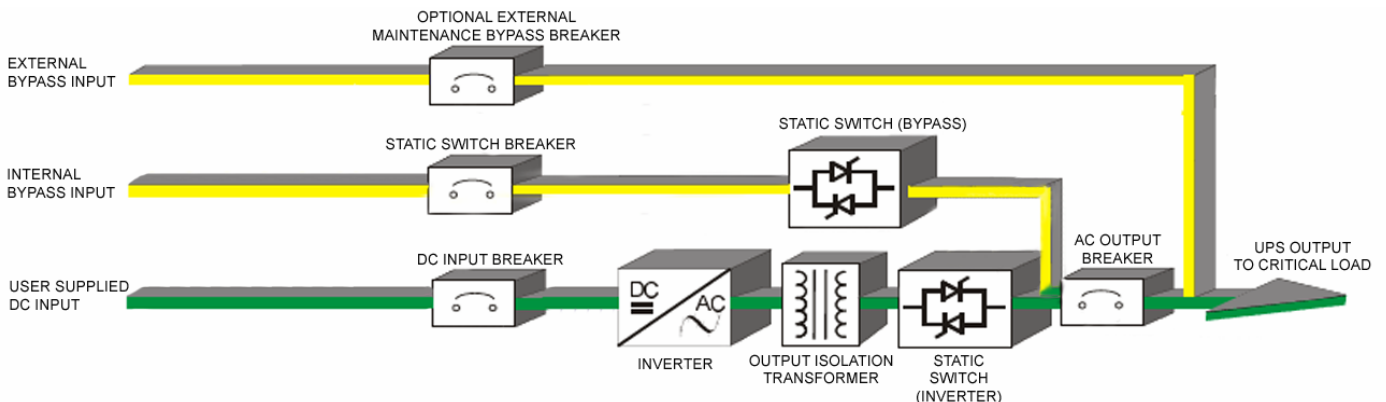
DC to AC Inverter Features

- True On-line Technology for Maximum Power Protection
- True “Zero Break” Fully Rated Solid State Static Transfer Switch Standard
- Pure Sine Wave Output
- Transistor Power Block Technology
- 20-Year Design Life
- Copper Wound Transformers
- Easy Access Front Door
- Input to Output Isolation
- Less than 1% output THD
- Low Audible Noise
- Short Circuit Protection
- Mounts in Standard 19” or 23” Rack
- Handles 5:1 Crest Factor Loads
- DC Input Circuit Breaker
- AC Output Circuit Breaker
- Form “C” Alarm Interface Contacts
- ANSI 61 Gray Powder Coat Finish
- Built to Meet UL1778, NEMA, NEC, ANSI and FCC Standards



OPTIONS

- ⇒ Multiple Voltage Outputs Available
- ⇒ 50Hz/60Hz Models
- ⇒ External Maintenance Bypass Switch
- ⇒ Floor Mount Kit
- ⇒ Direct Inverter (No Static Switch)
- ⇒ Customizable Designs for Unique Applications





Industrial Inverters

24 / 48 / 120VDC

Technical Specifications													
DC INPUT													
Model	1kva	1.5kva	2kva	2.5kva	3kva	5kva	7.5kva	10kva					
Nominal DC Voltage (V)	24	24	24	48	24	48	120	24	48	120	120	48	120
Max Current (A)	46	69	92	46	115	69	28	230	115	46	69	230	92
Protection (Breaker Amps)	60	80	100	60	160	80	32	250	160	60	80	250	125
Noise Feedback	Less than 32dBmC												
AC OUTPUT													
Power Rating	1kva	1.5kva	2kva	2.5kva	3kva	5kva	7.5kva	10kva					
Nominal Voltage	120 VAC Standard, 100/127/200/208/220/230/240 Optional												
Frequency	50 / 60Hz												
Frequency Stability	±0.1% Internal Crystal Controlled												
Acceptable Bypass Synchronization	± 2 Hz												
Regulation	±2% over entire input voltage and load range												
Waveform	Pure Sine Wave												
Crest Factor	5:1												
Harmonic Distortion	< 1% with linear load from .8 leading to .8 lagging power factor												
Overload	125% for 10 min, 150% for 1 min												
Protection Circuitry	Circuit Breaker and Fusing												
AC BYPASS INPUT													
Voltage (V)	120 VAC Standard, other voltages available as an option												
Frequency (Hz)	50 / 60Hz (Bypass freq. must match output freq.)												
ENVIRONMENT													
Operating Temperature	32°F to 122°F (0°C to 50°C)												
Ventilation	Forced Air (front to back)												
Heat Dissipation (BTU/Hr)	512	768	1,024	1,280	1,535	2,559	3,839	5,118					
Humidity	0 – 95% non-condensing												
Audible Noise	< 50 dB(A) Scale @ 1 meter												
Operational Altitude	5,000 ft. (1,500m)												
DIMENSIONS													
Model	1kva	1.5kva	2kva	2.5kva	3kva	5kva	7.5kva	10kva					
Height (inches)	15.75	15.75	15.75	15.75	15.75	15.75	32.25	40	15.7	32.25	32.25	40	32.25
Width (inches)	16.8	16.8	16.8	16.8	16.8	16.8	17	17	16.8	17	17	17	17
Depth (inches)	15.1	15.1	15.1	15.1	15.1	15.1	18	18	15.1	18	18	18	18
Weight (lbs)	130	130	140	140	150	150	380	420	150	380	400	420	400
ENCLOSURE													
Color	ANSI 61 Gray												
Rating	NEMA1												
Cable Entry	Rear												

Note: All data is subject to change without notice.