

Notes: Unless otherwise specified, dimensions are in inches. Dimensions within brackets [] are in millimeters.
 Recommended clearance for serviceability is 36" [914] in the front and 6" [152] on the remaining sides.

LTI Power Systems, Inc.

TEL. (440) 327-5050

10800 Middle Ave. Elyria, Ohio 44035

ProUPS B2050 ENCLOSURE
 125KVA

125KVA WEIGHT W/SKD: 3200 LBS. (1440 kg)

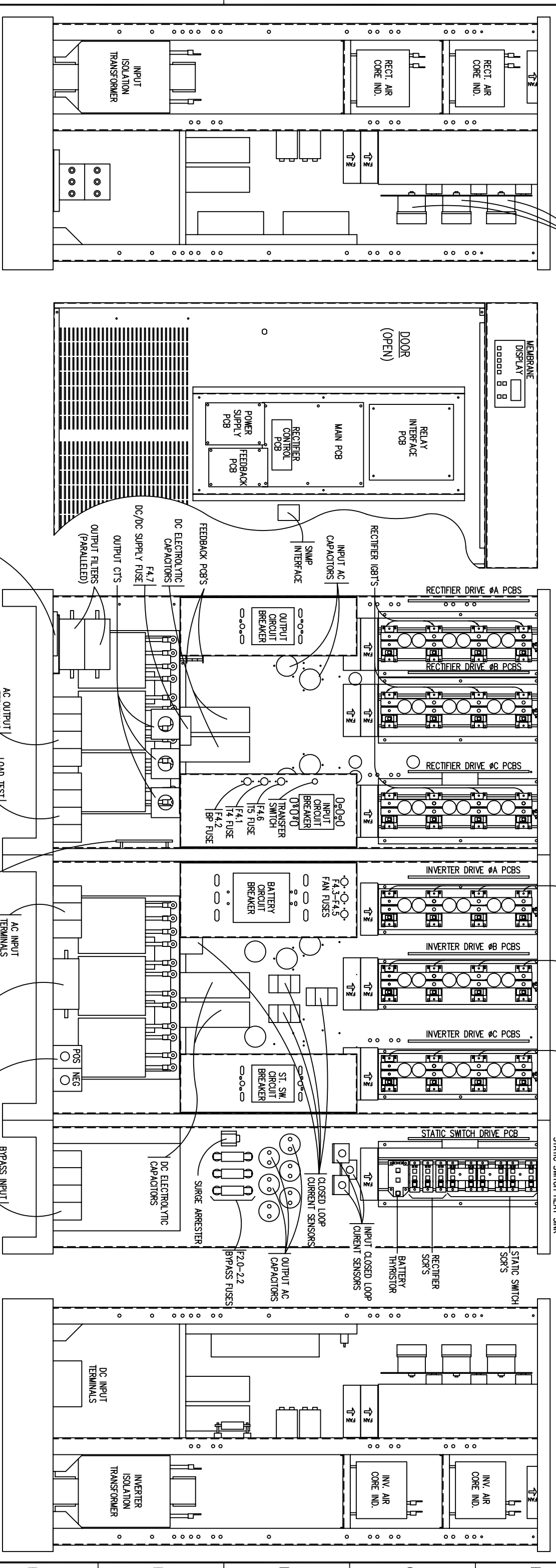
LTI-ProUPS

CAD DWG NAME: B2050CAB_125KVA

REV.

1

REVISIONS			
ISS. NO.	CHG. BY	DATE	DESCRIPTION



LEFT SIDE

FRONT

RIGHT SIDE

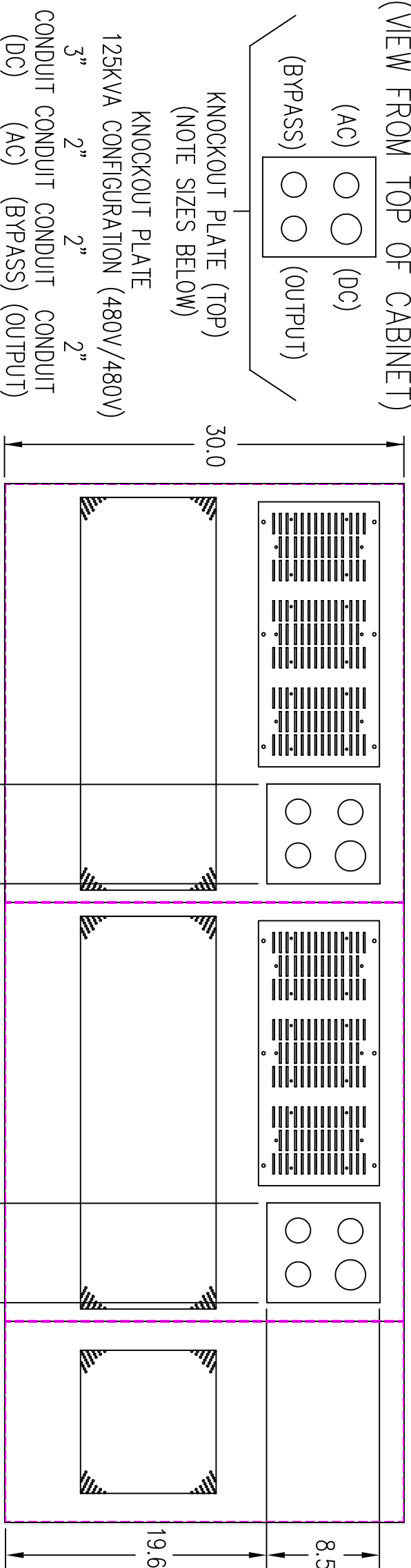
FORM C CONTACTS RATED 1 AMP @ 120VAC.
ALARMS SHOWN ARE STANDARD. REFER TO MANUAL
FOR OTHER AVAILABLE ALARMS.

1	2	3	4	5	6	7	8	9	10	11	12	13	14	15	16	17	18	19	20
AC	ON	ON	ON	ON	ON	ON	ON	ON	ON	ON	ON	ON	ON	ON	ON	ON	ON	ON	ON
FAIL	BYPASS	LOW	LOW	BATTERY	ON	BATTERY	ON	BATTERY	ALARM										

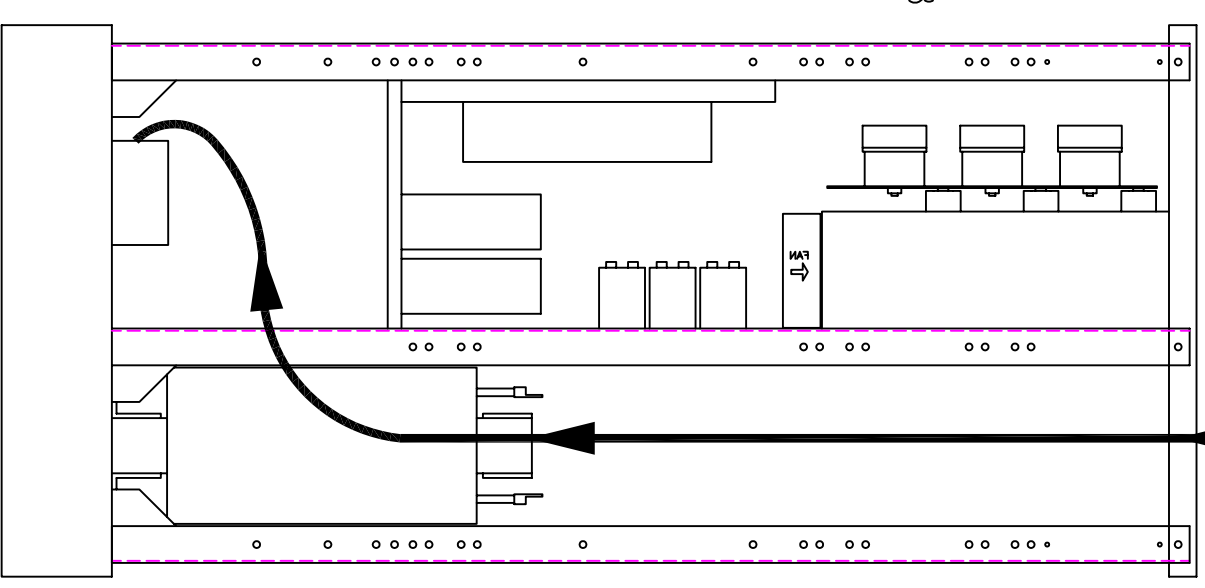
BOTH N.O. AND N.C. CONTACTS ARE PROVIDED FOR THE ABOVE ALARMS.
ONLY THE "INVERTER OFF" ALARM IS ENABLED FOR THE SUMMARY ALARM AT THE FACTORY.
REFER TO "ALARM AND SIGNAL WIRING" SECTION OF 5283-410 MANUAL TO LEARN MORE
ABOUT ENABLING OR DISABLING GENERAL/SUMMARY ALARMS.

COMPONENT LOCATION DRAWING	
FOR	125KVA, 480V INPUT, 277/480V OUTPUT
360VDC SYSTEM	
UNLESS OTHERWISE SPECIFIED DIMENSIONS ARE IN INCHES TOLERANCE ON FRACTIONS +/- 1/32 DECIMALS +/- 0.031 ANGLES +/- .15	SCALE
DESIGN DATE	
DRAWN WALLACE	4-15-10
CHKD	
APPD	
POWER SYSTEMS, INC.	
ELYRIA, OHIO 44035-7822	
1254848F	ISSUE
SHEET 1 OF 1	1

(VIEW FROM TOP OF CABINET)



RIGHT SIDE



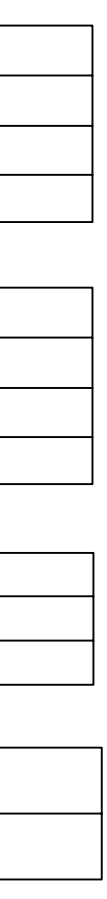
FOR TOP CABLE ENTRY, ROUTE WIRES DOWN RIGHT SIDE THROUGH WIREWAY CABINET TO TERMINALS LOCATED ON BASE PANEL.

TERMINATION CONFIGURATION (BOTTOM, FRONT)

TERMINAL BLOCK CAPACITY (AC INPUT): 350 MCM TO 6 GA.

TERMINAL BLOCK CAPACITY (BYPASS INPUT/AC OUTPUT): 350 MCM TO 6 GA.

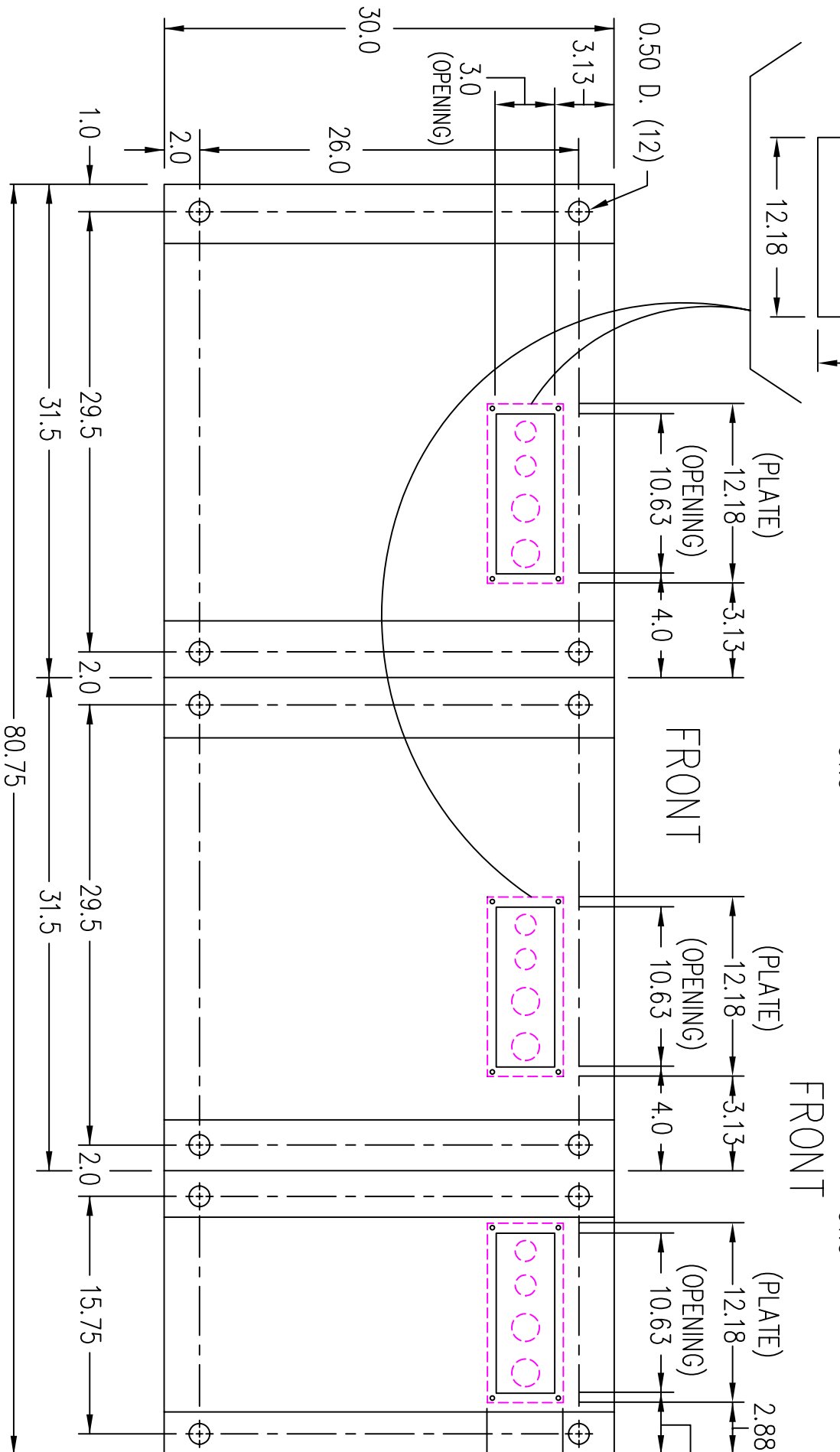
TERMINAL BLOCK CAPACITY (DC INPUT): (2) 500 MCM TO (2) 4 GA.



ØA ØB ØC N ØA ØB ØC N ØA ØB ØC POS NEG

SYSTEM OUTPUT BYPASS INPUT AC INPUT DC INPUT

NOTE: ALL DIMENSIONS ARE IN INCHES UNLESS OTHERWISE SPECIFIED.



(VIEW FROM BOTTOM OF CABINET)

LTI Power Systems, Inc.

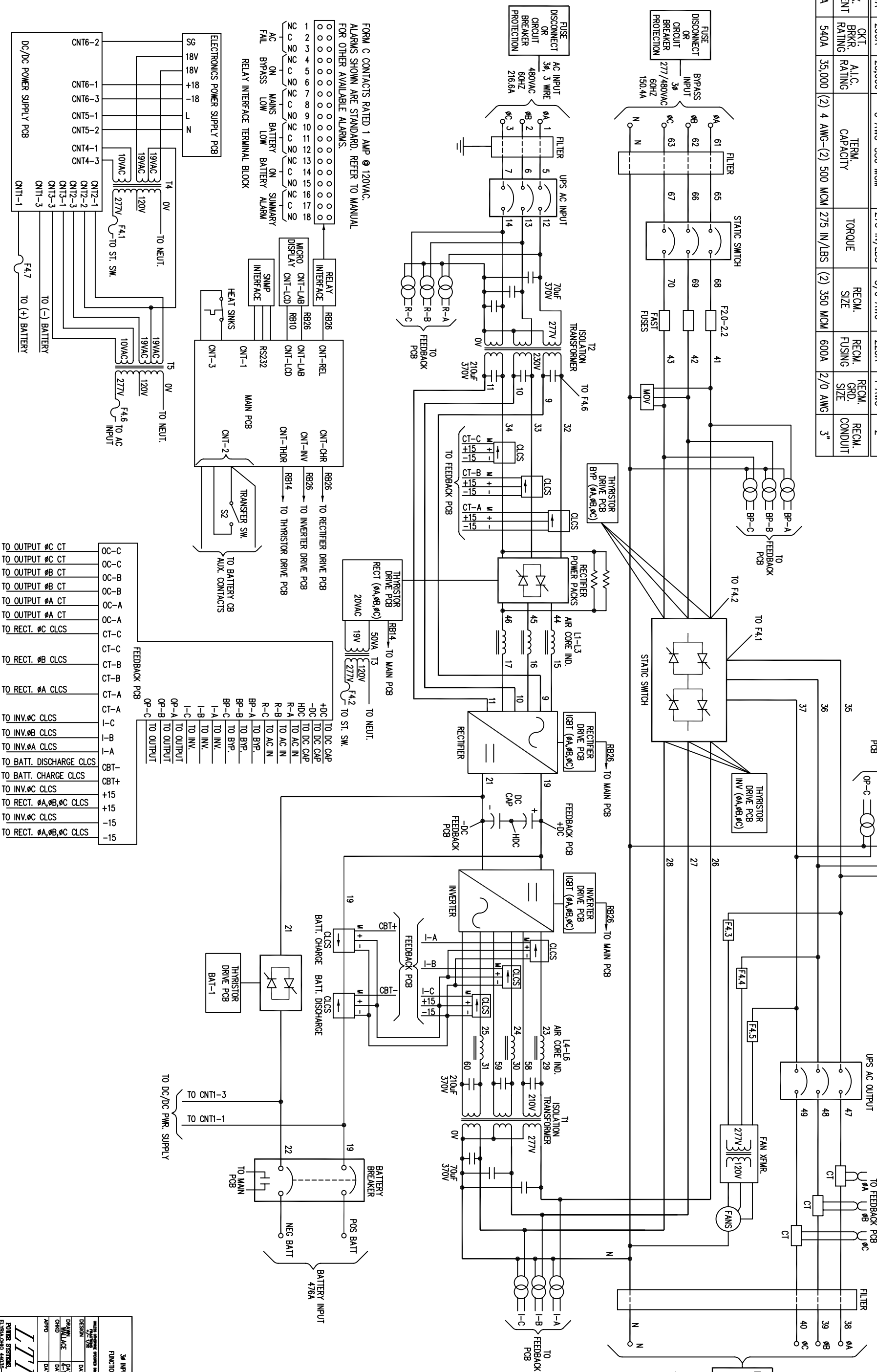
125KVA ASSEMBLY

LTI-ProUPS

REV.

AC INPUT	MAX. INPUT CURRENT	MAX. BRKR. RATING	A.I.C. RATING	TERM. CAPACITY	TORQUE	RECM. SIZE	RECM. FUSING	RECM. GRD. SIZE	RECM. CONDUIT
480V	216.6A	225A	25,000	6 AWG-350 MCM	275 IN/LBS	4/0 AWG	250A	2 AWG	2"
BYPASS INPUT/AC OUTPUT	MAX. CURRENT	BRKR. RATING	A.I.C. RATING	TERM. CAPACITY	TORQUE <td>RECM. SIZE</td> <td>RECM. FUSING</td> <td>RECM. GRD. SIZE</td> <td>RECM. CONDUIT</td>	RECM. SIZE	RECM. FUSING	RECM. GRD. SIZE	RECM. CONDUIT
277/480V	150.4A	200A	25,000	6 AWG-350 MCM	275 IN/LBS	3/0 AWG	225A	4 AWG	2"
DC INPUT	MAX. CURRENT	BRKR. RATING	A.I.C. RATING	TERM. CAPACITY	TORQUE	RECM. SIZE	RECM. FUSING	RECM. GRD. SIZE	RECM. CONDUIT
360V	476A	540A	35,000	(2) 4 AWG-(2) 500 MCM	275 IN/LBS	(2) 350 MCM	600A	2/0 AWG	3"

- NOTES:
1. WIRE SIZES BASED ON 90°C COPPER CONDUCTORS OPERATING IN 30°C AMBIENT AND NEC TABLES 250-95 AND 310-16. INCREASE CONDUCTOR SIZE FOR LONG RUNS.
 2. CLOCKWISE PHASE ROTATION MUST BE OBSERVED FOR BYPASS AND AC INPUTS.
 3. CLCS = CLOSED LOOP CURRENT SENSOR



FORM C CONTACTS RATED 1 AMP @ 120VAC.
ALARMS SHOWN ARE STANDARD. REFER TO MANUAL
FOR OTHER AVAILABLE ALARMS.

- TO OUTPUT #C CT
TO OUTPUT #B CT
TO OUTPUT #A CT
TO RECT. #C CLCS
TO RECT. #B CLCS
TO RECT. #A CLCS
TO INV.#C CLCS
TO INV.#B CLCS
TO INV.#A CLCS
TO BATT. DISCHARGE CLCS
TO BATT. CHARGE CLCS
TO INV.#C CLCS
TO RECT. #A,#B,#C CLCS
TO INV.#C CLCS
TO RECT. #A,#B,#C CLCS