



# Industrial UPS 3 to 18kVA Floor Mount

## Series 1000 UPS Features

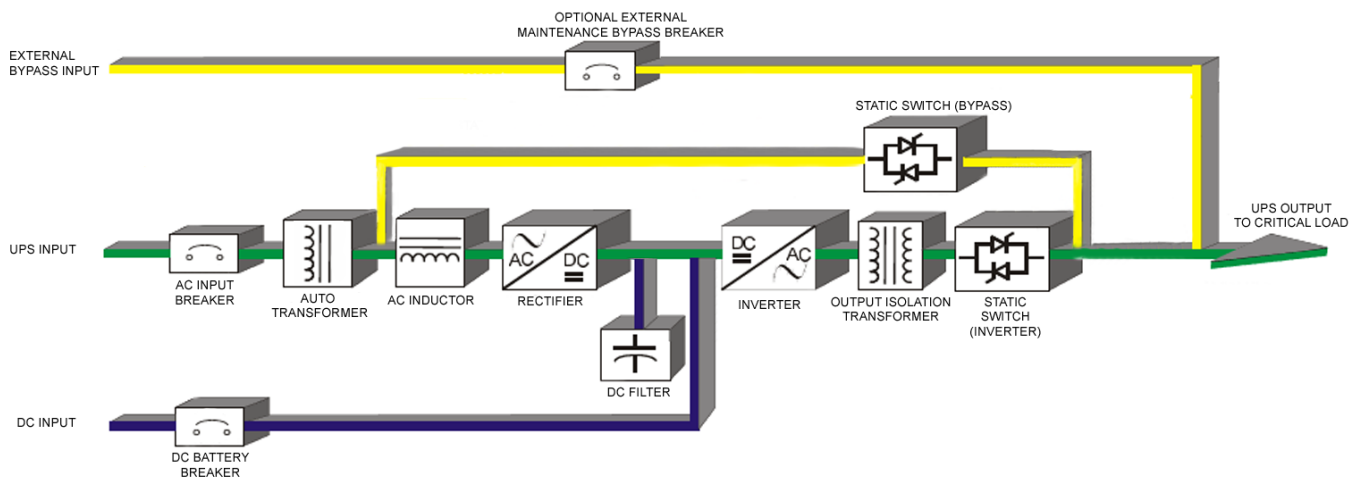
- True On-line Technology for Maximum Power Protection
- Input to Output Isolation
- True “Zero Break” Fully Rated Solid State Static Transfer Switch Standard
- Pure Sine Wave Output
- Transistor Power Block Technology
- Fast Recovery Battery Charger
- Less than 1% Output THD
- Redundant Fault Tolerant Circuitry
- Handles 5:1 Crest Factor Loads
- Casters and Leveling Feet
- Low Audible Noise
- 20-Year Design Life
- Seismic Zone 4 Construction
- User-Friendly Display
- ANSI 61 Gray Powder Coat Finish
- Perfect For Office or Industrial Installations
- Built to Meet UL1778, NEMA, NEC, ANSI and FCC Standards

Available Sizes:  
3kW / 3.75kVA,  
5kW / 6.25kVA,  
7.5kW / 9.37kVA  
8kW / 10kVA  
10kW / 12.5kVA  
15kW / 18.75kVA



### OPTIONS

- ⇒ Multiple Voltage Outputs Available
- ⇒ 50Hz/60Hz Models
- ⇒ External Maintenance Bypass Switch
- ⇒ Form C Alarm Interface Contacts
- ⇒ Digital Meter Panel
- ⇒ Extended Runtime Battery Packs
- ⇒ Frequency Meter
- ⇒ Surge Suppression Kit
- ⇒ Manual Transfer Pushbutton
- ⇒ Equalize Timer Kit
- ⇒ Emergency Power Off
- ⇒ Dual Input Kit
- ⇒ Network Communications Kit
- ⇒ Spare Parts Kits
- ⇒ Customizable Designs for Unique Applications





# Industrial UPS

## 3 to 18kVA Floor Mount

Technical Specifications						
	LT1030	LT1050	LT1075	LT1080	LT1100	LT1150
Max. Output Power (VA) @ .8 PF	3,750	6,250	9,375	10,000	12,500	18,750
Max. Output Power (Watts) (60Hz)	3,000	5,000	7,500	8,000	10,000	15,000
Max. Output Power (Watts) (50Hz)	2,400	4,000	6,000	6,400	8,000	12,000
<b>INPUT</b>						
Nominal Input Voltage (60Hz)	120, 208, 220, 240 VAC		110, 120, 208, 220, 240, 480VAC		208, 240, 480 VAC <sup>2</sup> 1PH 208, 240, 480VAC <sup>2</sup> 3PH	
Nominal Input Voltage (50Hz)	110, 120, 220, 230, 240 VAC		110, 120, 220, 230, 240VAC		220, 230, 240, 380VAC 1PH 220, 230, 240, 380VAC 3PH	
Input Voltage Range (50 & 60 Hz)	+15%, -25% (without using batteries)					
Input Frequency Range	45 - 65 Hz					
Power Walk-In	5 seconds to full load					
Input/Output Power Connections	Hardwire Terminal Blocks Standard (Optional Line Cords Available)					
<b>OUTPUT</b>						
Nominal Output Voltage (60Hz)	110, 115, 120, 120/208 <sup>1</sup> , 110/220, 120/240 <sup>3</sup> VAC					
Nominal Output Voltage (50Hz)	220, 230, 240 VAC					
Regulation	(Steady State): ±1% for all line and load conditions (Dynamic): ±2% from nominal for 100% load steps					
THD	<1% for linear loads and 3% for non-linear loads					
Frequency Stability	±0.01% from nominal					
Output Sync. Window	±2%					
Maximum Load Crest Factor	±5:1					
Slew Rate	1Hz / second maximum					
	LT1030	LT1050	LT1075	LT1080	LT1100	LT1150
Typical Efficiency (@ 50% load)	83%				81%	86%
Efficiency (@ 100% load)	83%				85%	86%
Overload Ratings @ 0.8 PF	110% - Indefinite, 125% for 10 min, 150% for 1 min					
Overload Ratings @ 1.0 PF	120% for 15 sec, 125% for 8 sec					
Surge Withstand	Passes IEEE 587 / ANSI CG2.41 Category A					
<b>BATTERY</b>						
Voltage (VDC)	120				360	
Recharge Time	< 1 hour to 90% charge level after complete discharge					
<b>ENVIRONMENT</b>						
Operating Temperature	32°F to 104°F (0°C to 40°C)					
Humidity	0 – 95% non-condensing					
Audible Noise	< 50 dB(A) Scale @ 1 meter					
Heat Rejection (@ 1.0 PF Load)	2,100 BTU / hr.		3,500 BTU / hr.		5,250 BTU / hr.	
<b>ENCLOSURE</b>						
Dimensions inches W/D/H	13.3 / 31 / 27.2		16 / 31 / 36		18 / 38.5 / 54	
Weight (lbs)	310	425	620	650	1,200	
Color	ANSI 61 Gray					
Ventilation	Forced Air : Intake – Rear Bottom, Exhaust – Rear Top					
Rating	NEMA1					
Cable Entry	Rear					

Note: All data is subject to change without notice.

- 208VAC output voltage is single phase: L1 to N measures 120V, L2 to N measures 88V, L1 to L2 measures 208V.
- 480VAC models require a 208 or 240VAC bypass input feed.
- 120/240VAC output configurations divide the loads between L1 to N and L2 to N.